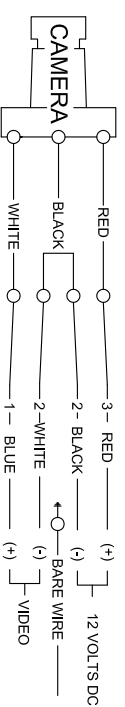
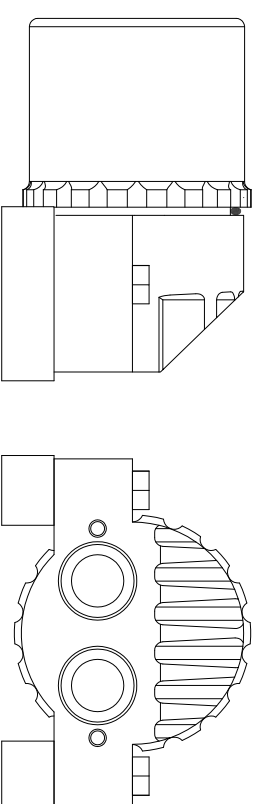


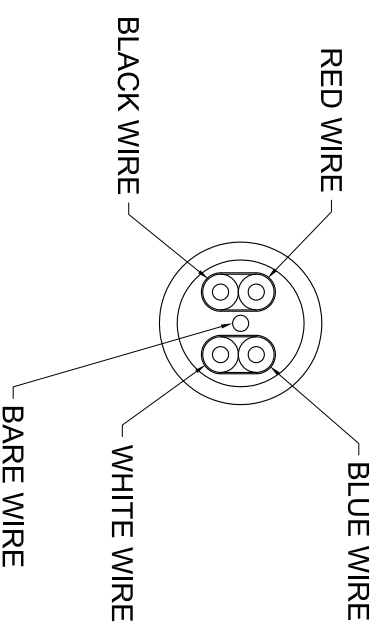
WIRING: BACK VIEW OF CAMERA  
 1 = VIDEO / 2 = COM / 3 = 12 VOLT DC. (+)



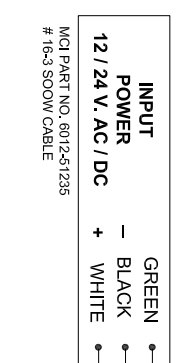
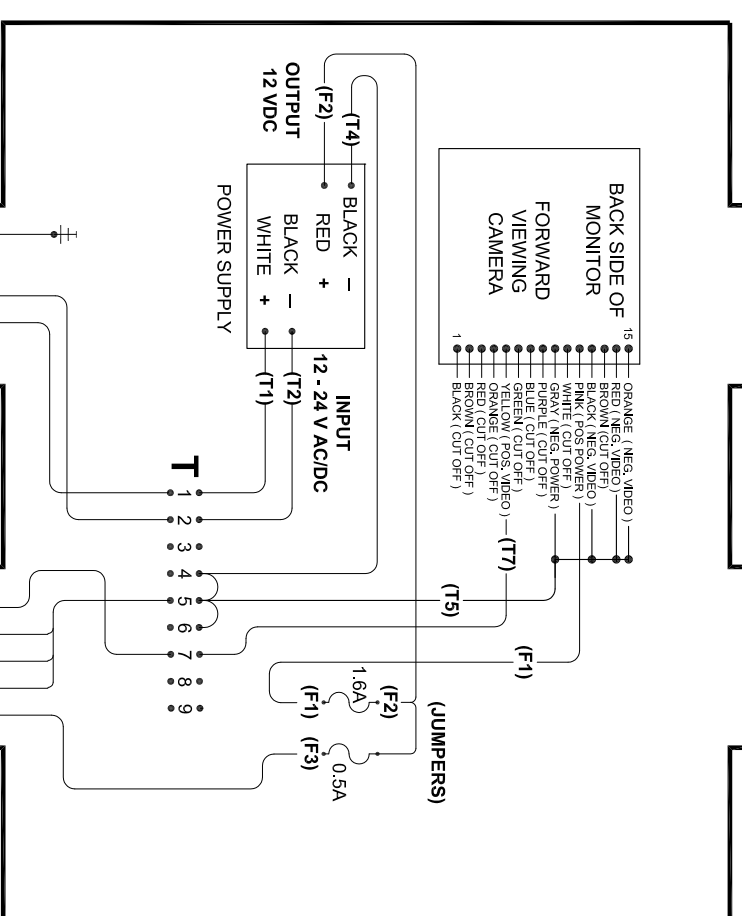
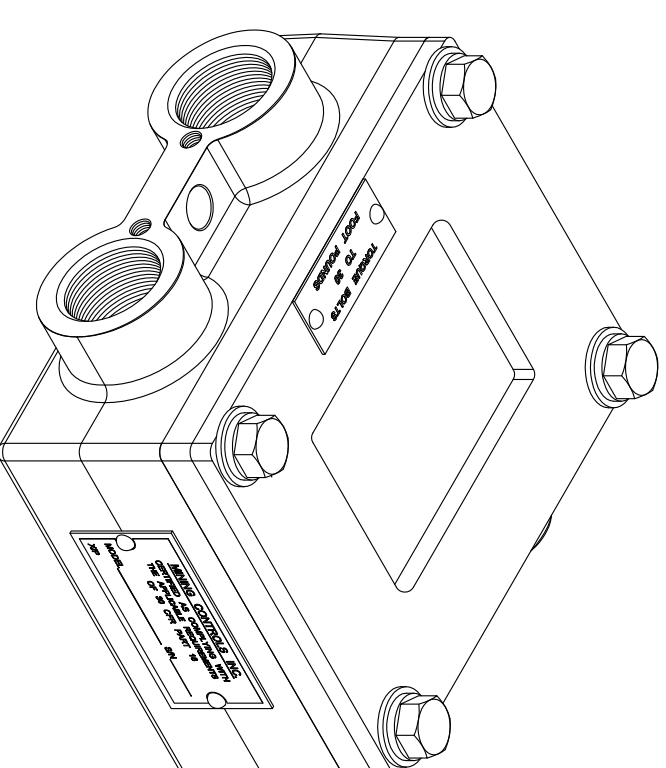
MODEL MCI50XP CERT. XP 3938-0 & -1  
 P/N 7015-34290-14 CAMERA MODEL MCI 50 XP ALUM.  
 EXPLOSION PROOF WITH BLACK & WHITE HIGH  
 RESOLUTION 600 LINES 0.0003 LUX LOW LIGHT CAMREA,  
 FORWARD VIEWING ONLY GLAND FOR TWO PAIR CABLE  
 AND GLAND PLUG COMPLETE



6012-51139-11  
 2 PAIR-24 GA. SHIELDED VIDEO AND POWER CABLE



MODEL 35400 CERT. XP-3844-1  
 P/N 7015-35400-41  
 4" LCD Monitor With XIP Enclosure For One Camera  
 PACKING GLAND PLUG 2024-20057-1SA  
 PACKING GLAND PLUG 2024-20057-1SA



MCI PART NO. 6012-51236  
 # 16-3 S00W CABLE

PACKING GLAND  
 7017-20501-1G-039

MCI PART NO. 6012-51139-11  
 2 PAIR 24 GA. SHIELDED VIDEO  
 AND POWER CABLE



PACKING GLAND  
 7017-20501-G-028