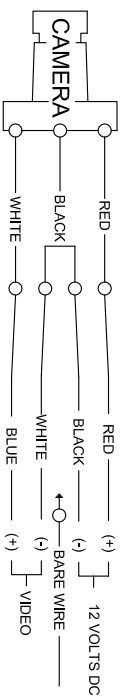
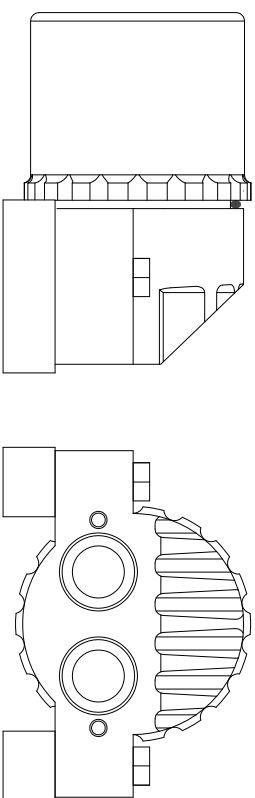


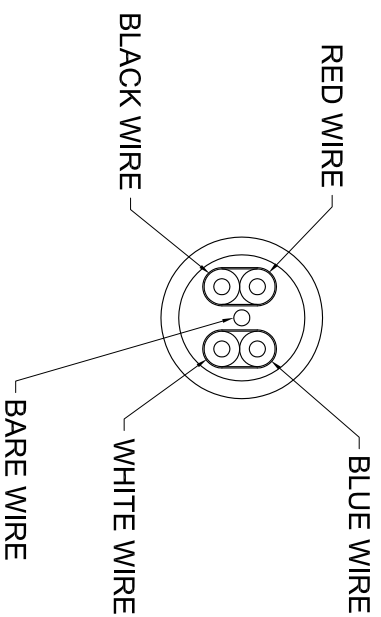
WIRING: BACK VIEW OF CAMERA
 1 = VIDEO / 2 = COM / 3 = 12 VOLT DC. (+)



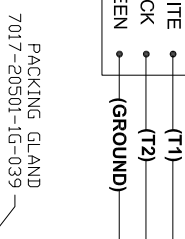
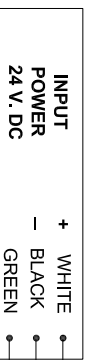
MODEL MCI50XP CERT. XP 3938-0 & -1
 P/N 7015-34290-14 CAMERA MODEL MCI 50 XP ALUM.
 EXPLOSION PROOF WITH BLACK & WHITE HIGH
 RESOLUTION 600 LINES 0.0003 LUX LOW LIGHT CAMERA,
 FORWARD VIEWING ONLY GLAND FOR TWO PAIR CABLE
 AND GLAND PLUG COMPLETE



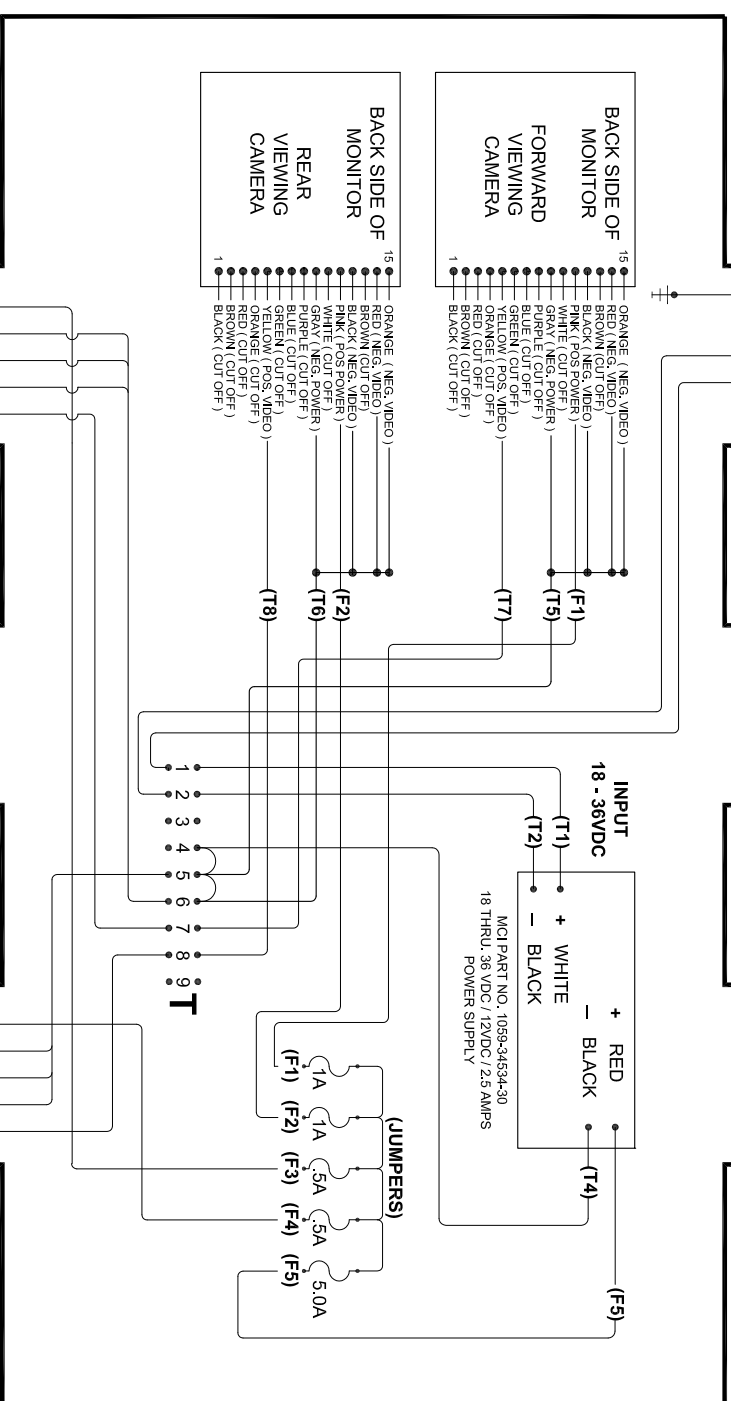
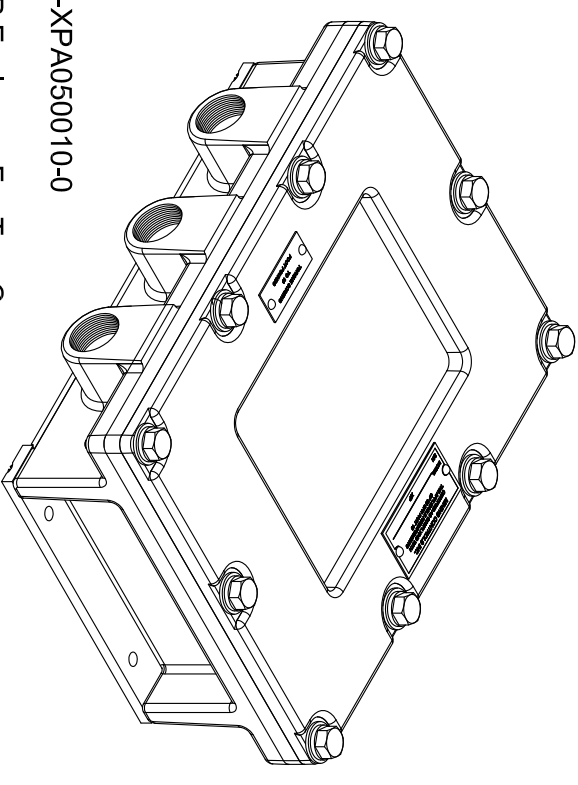
6012-51139-11
 2 PAIR-24 GA. SHIELDED VIDEO AND POWER CABLE



MCI PART NO. 601251235
 # 16-3 SSOOW CABLE



MODEL 345514 CERT. 18-XPAA050010-0
 P/N 7015-34551-15
 DUAL 4" LCD Monitor With XP Enclosure For Two Camera



MCI PART NO. 6012-51139-11
 2 PAIR 24 GA. SHIELDED VIDEO AND POWER CABLE



PACKING GLAND PLUG
 2024-20057-1SA
 PACKING GLAND
 7017-20501-G-028

MCI PART NO. 6012-51139-11
 2 PAIR 24 GA. SHIELDED VIDEO AND POWER CABLE



PACKING GLAND PLUG
 2024-20057-1SA
 PACKING GLAND
 7017-20501-G-028