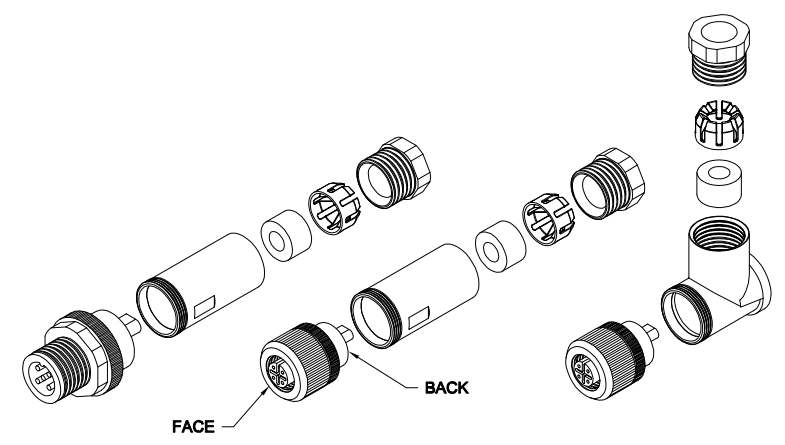
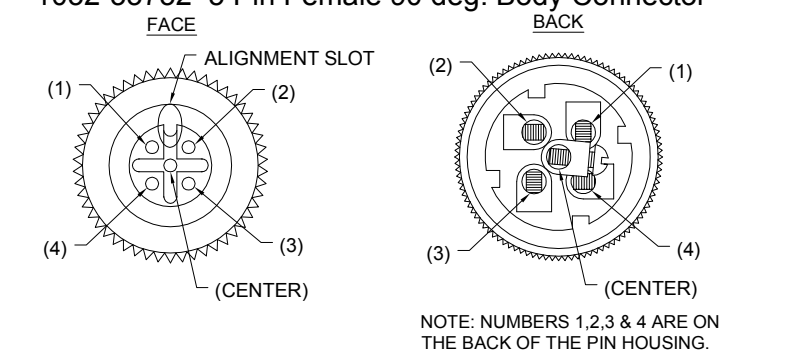


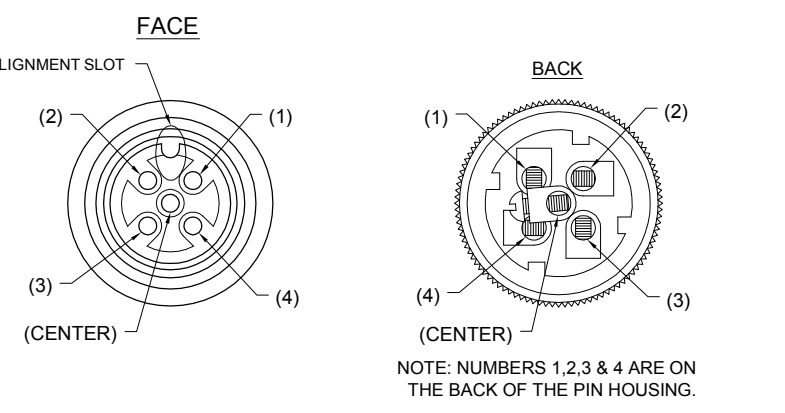
REV.	DESCRIPTION	INITIAL	DATE
------	-------------	---------	------



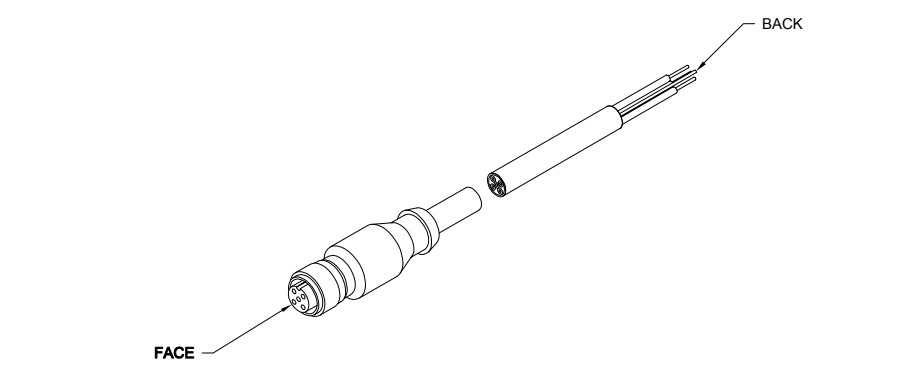
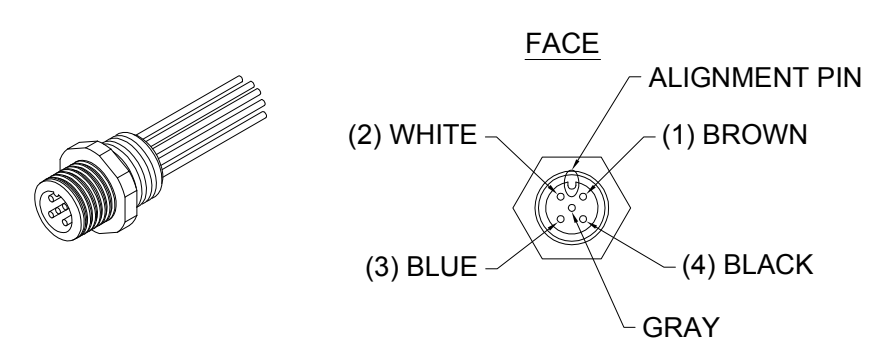
1032-33731 5 Pin Female Straight Body Connector
 1032-33732 5 Pin Female 90 deg. Body Connector



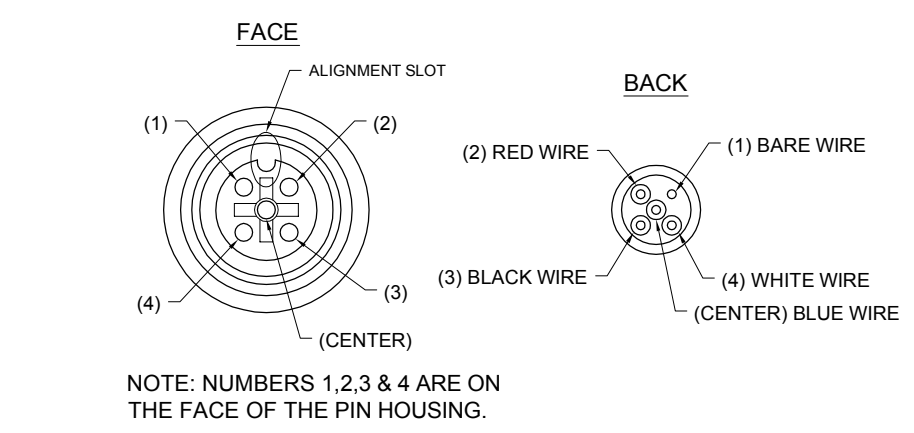
1032-33731-1 5 Pin Male Straight Body Connector



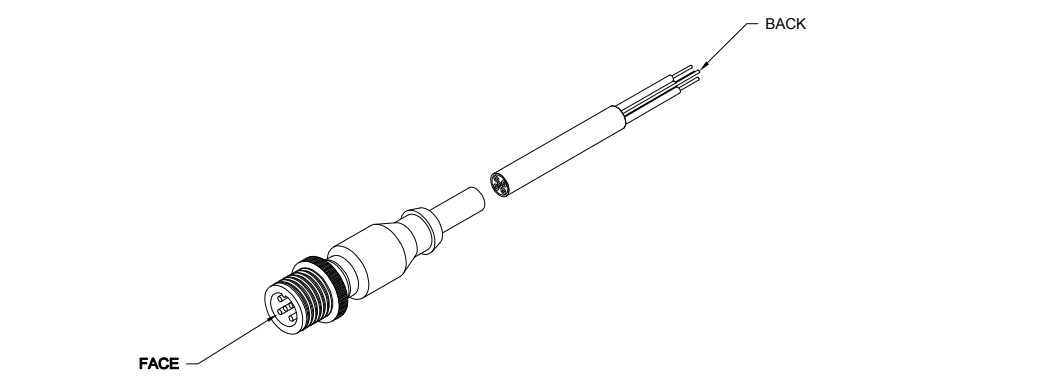
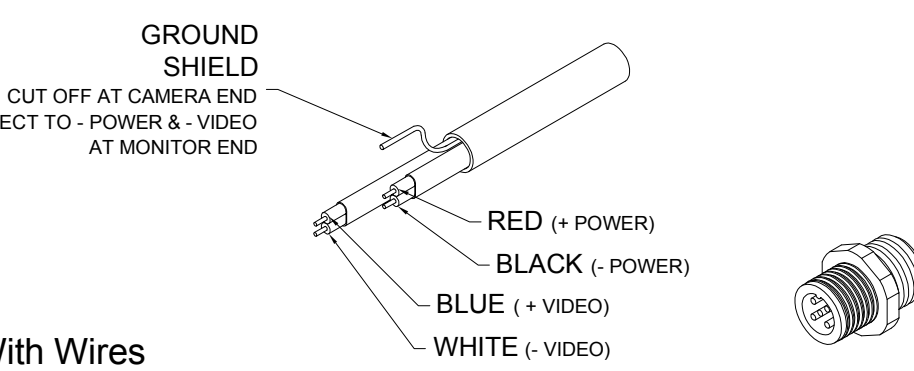
1032-34557 5 Pin Male PG-9 Connector With Wires
 1032-34557-1 5 Pin Male 1/4" NPT Connector With Wires



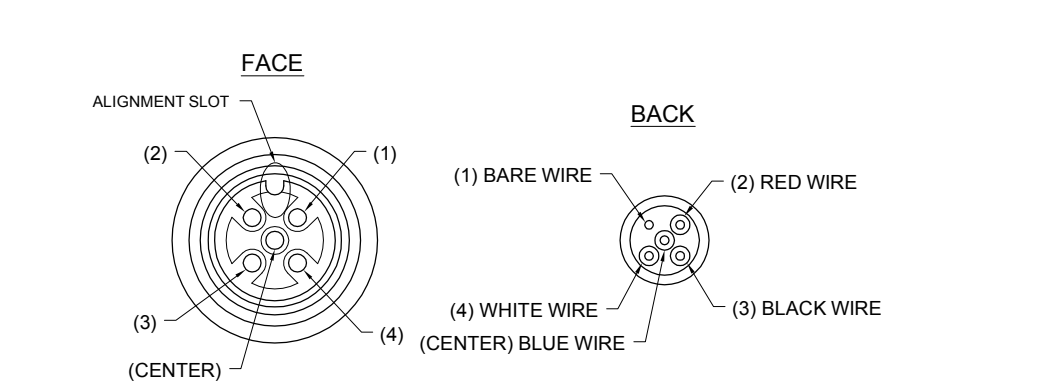
7030-34828-75 75 ft. Female Molded Cable & Connector Assembly



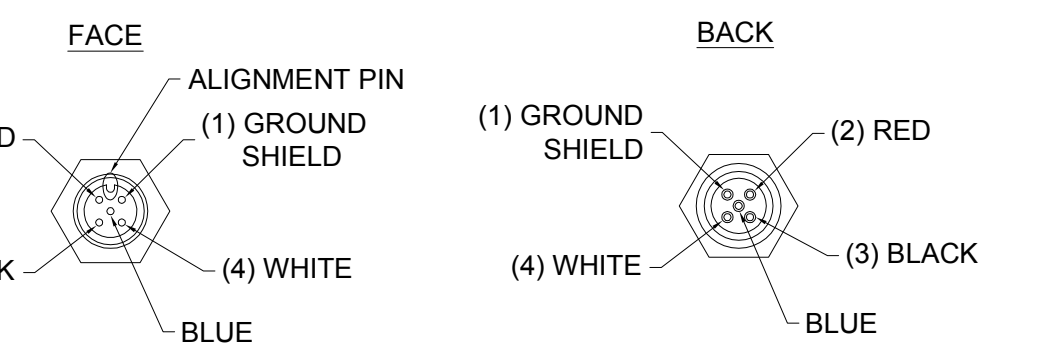
6012-51139-11 Two Pair Shielded Camera Cable

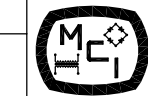


7030-34828-012 12 inch. Male Molded Cable & Connector Assembly



1032-33730 5 Pin Male Connector With Solder Cup



FIRST USED				 MINING CONTROLS <small>INCORPORATED</small> P. O. BOX 1141 BECKLEY, W.V. 25801
MATERIAL & FINISH				
SCALE 1=1	DATE DRAWN 10-5-09	DRAWN BY LWR	CHECKED BY	TITLE CAMERA CONNECTORS & CAMERA CABLE
<small>ALL DIMENSIONS IN INCHES. TOLERANCES UNLESS OTHERWISE SPECIFIED:</small> DECIMALS .XXX = ± .005 .XX = ± .015 FRACTIONS = ± 1/32" ANGLES = ± 1/2°				DWG. SIZE R
				REV. Δ

TDS 1032-33731