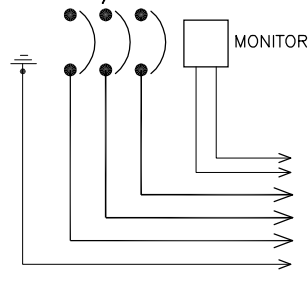




MINING CONTROLS INCORPORATED

P.O. BOX 1141 BECKLEY, W.V. 25801

POWER CENTER CIRCUIT BREAKER with UVR 600 VOLTS / 300 AMPS



THIS BREAKER SHOULD NOT BE SIZED LARGER THAN THE BREAKER LOCATED ON THE POWER CENTER

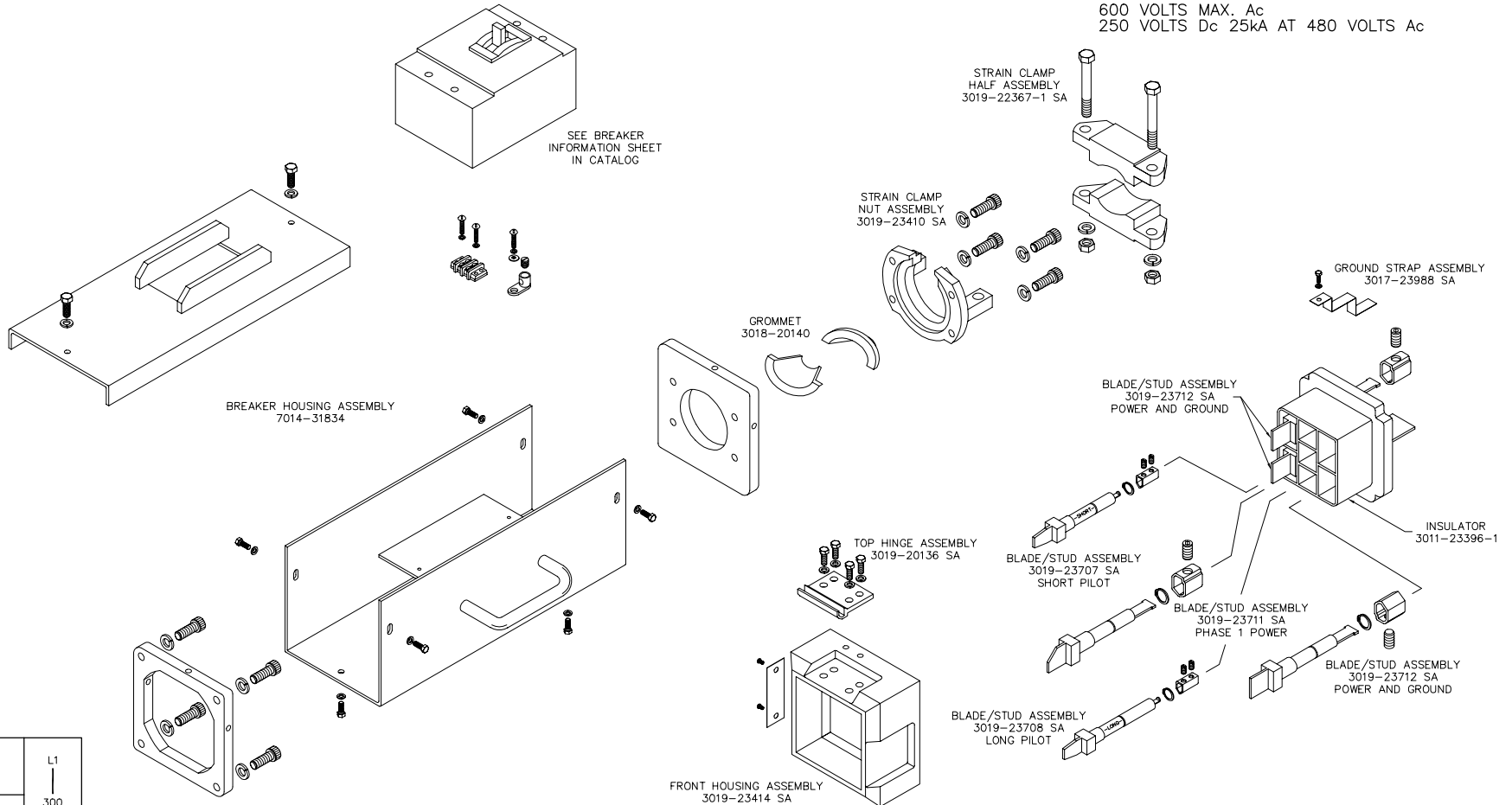
Westinghouse Series-C

- 600 VOLTS 3 / 150 AMPS
F-FRAME MOTOR CIRCUIT PROTECTOR (HMCP)
- 600 VOLTS 10 / 150 AMPS
F-FRAME THERMAL-MAGNETIC CIRCUIT BREAKER (FDB)
- 600 VOLTS 3 / 150 AMPS
F-FRAME MINING SERVICE CIRCUIT BREAKER (HFDM)

Cutler-Hammer E2F type

- 600 VOLTS MAX. Ac
- 250 VOLTS Dc 25kA AT 480 VOLTS Ac

PLUG and BREAKER ASSEMBLY



GR 300		L1 300
L3 300	100 100	L2 300

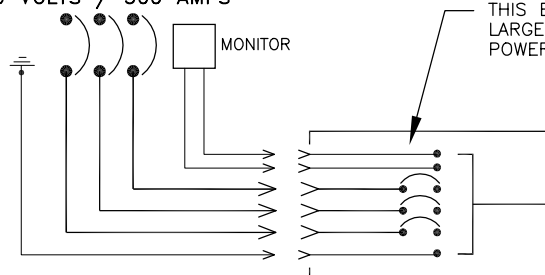
PL 30 DFC 67 WB
PLUG LINE MOUNT WITH BREAKER



MINING CONTROLS
INCORPORATED

P.O. BOX 1141 BECKLEY, W.V. 25801

POWER CENTER
CIRCUIT BREAKER with UVR
600 VOLTS / 300 AMPS



THIS BREAKER SHOULD NOT BE SIZED LARGER THAN THE BREAKER LOCATED ON THE POWER CENTER

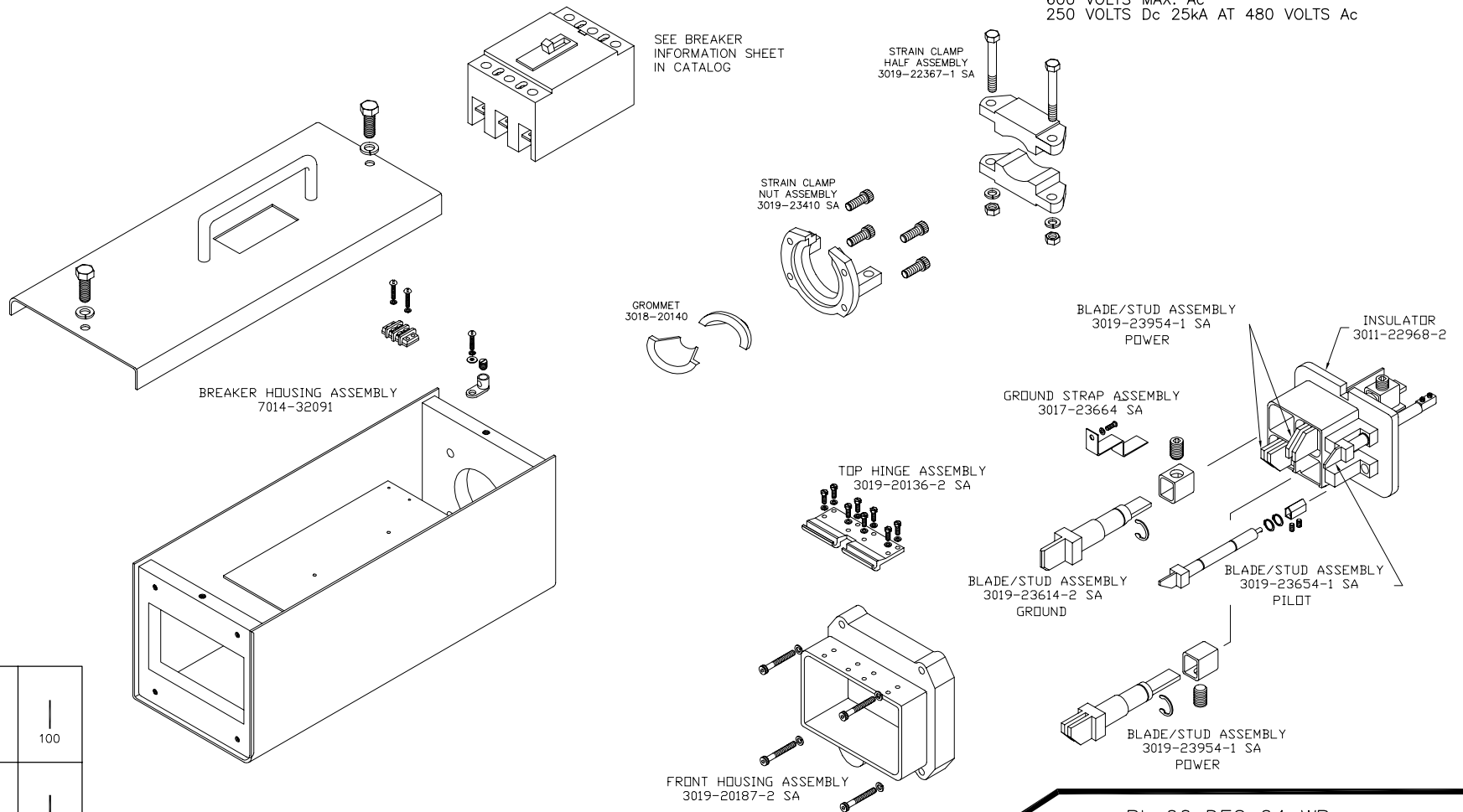
PLUG and BREAKER ASSEMBLY

Westinghouse Series-C

- 600 VOLTS 3 / 150 AMPS
F-FRAME MOTOR CIRCUIT PROTECTOR (HMCP)
- 600 VOLTS 10 / 150 AMPS
F-FRAME THERMAL-MAGNETIC CIRCUIT BREAKER (FDB)
- 600 VOLTS 3 / 150 AMPS
F-FRAME MINING SERVICE CIRCUIT BREAKER (HFDM)

Cutler-Hammer E2F type

- 600 VOLTS MAX. Ac
- 250 VOLTS Dc 25kA AT 480 VOLTS Ac



GR 300	L1 600	 100
L3 600	L2 600	 100

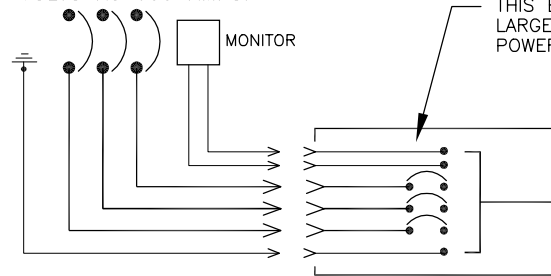
PL 60 DFC 64 WB
PLUG LINE MOUNT WITH BREAKER



MINING CONTROLS
INCORPORATED

P.O. BOX 1141 BECKLEY, W.V. 25801

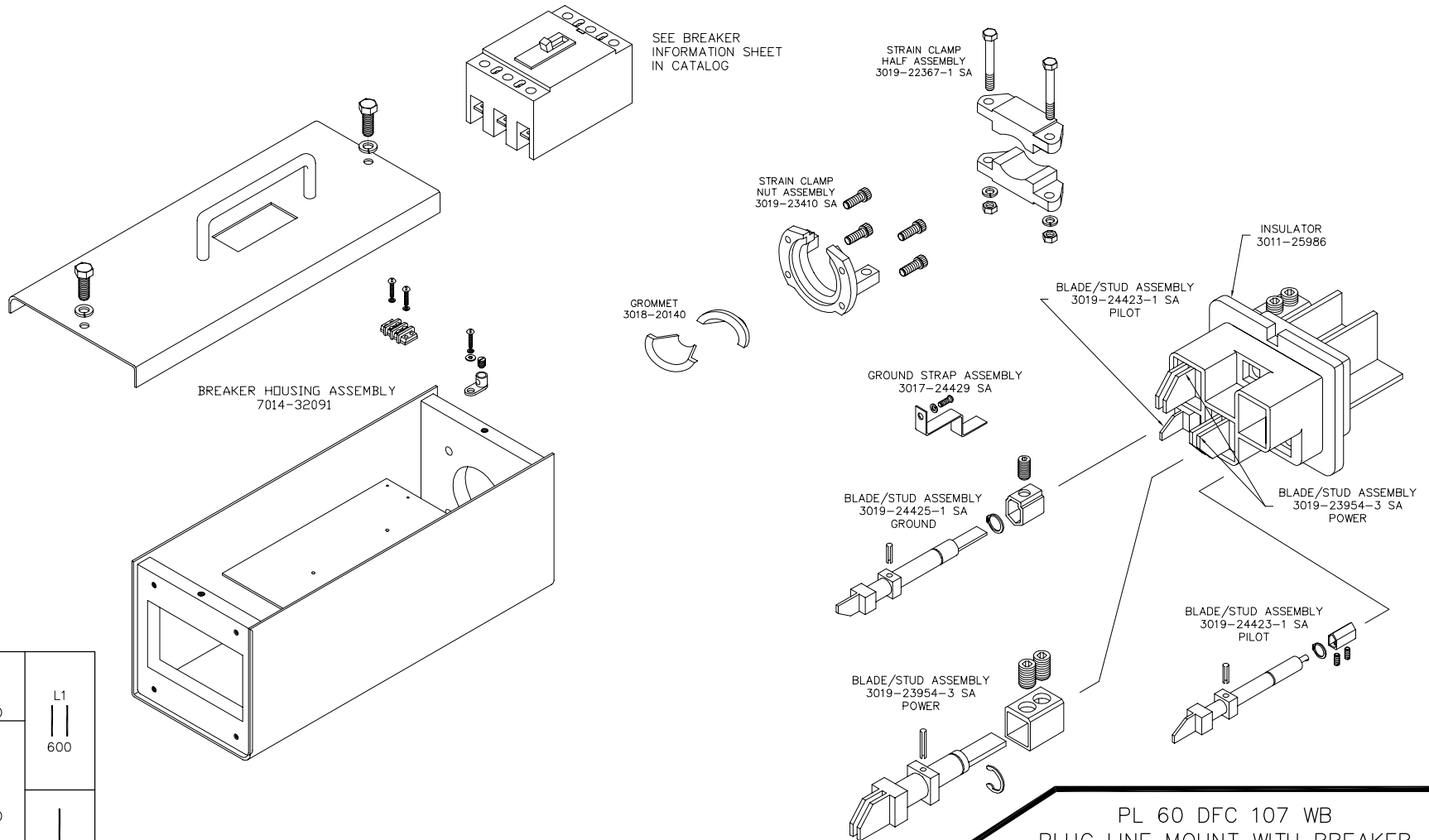
POWER CENTER
CIRCUIT BREAKER with UVR
1000 VOLTS Ac 600 AMPS.



THIS BREAKER SHOULD NOT BE SIZED
LARGER THAN THE BREAKER LOCATED ON THE
POWER CENTER

Cutler-Hammer E2F type
1000Y / 577 VOLTS MAX. Ac
250 VOLTS Dc 10kA AT 1000 VOLTS Ac

PLUG and BREAKER ASSEMBLY



SEE BREAKER
INFORMATION SHEET
IN CATALOG

STRAIN CLAMP
HALF ASSEMBLY
3019-22367-1 SA

STRAIN CLAMP
NUT ASSEMBLY
3019-23410 SA

GROMMET
3018-20140

GROUND STRAP ASSEMBLY
3017-24429 SA

INSULATOR
3011-25986

BLADE/STUD ASSEMBLY
3019-24423-1 SA
PILOT

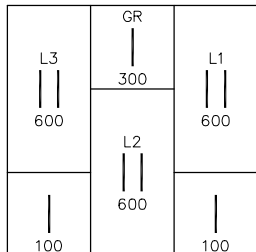
BLADE/STUD ASSEMBLY
3019-23954-3 SA
POWER

BLADE/STUD ASSEMBLY
3019-24425-1 SA
GROUND

BLADE/STUD ASSEMBLY
3019-24423-1 SA
PILOT

BLADE/STUD ASSEMBLY
3019-23954-3 SA
POWER

BREAKER HOUSING ASSEMBLY
7014-32091



PL 60 DFC 107 WB
PLUG LINE MOUNT WITH BREAKER