

# MINING CONTROLS INC.

## 7030-34485-14 ( 8" Color LCD Quad Monitor )



7030-34485-14

### MAIN FEATURES

- Weatherproof High-Resolution 8" TFT LCD monitor
- Multiple Display Mode (Single, Split(Auto), Triple(Auto), Quad)
- 4 Camera inputs, 1 AV input, 1 AV output
- Automatic Picture Display (5 Triggering Functions)
- Side camera image automatically displays when turn signal is on
- Distance grid for rear camera automatically displays when vehicle is set in Reverse
- Wide range input voltage (DC 12V~32V)
- Selectable Mirror/Normal image modes
- Anti-glare / Anti-scratch protective lens (Sunshield Optional)
- OSD for AV source (Color, Brightness, Contrast, Tint & Volume control)
- Dual compatibility for NTSC/PAL video signals
- Integrated audio speaker
- Auto-Power On

[www.minelinesystems.com](http://www.minelinesystems.com)

**Mining Controls Inc.**

P. O. Box 1141

Beckley, WV 25801

Larry Rowley

304-252-6243 ext. 147

304-228-3363 cell

[larry.rowley@elginindustries.com](mailto:larry.rowley@elginindustries.com)

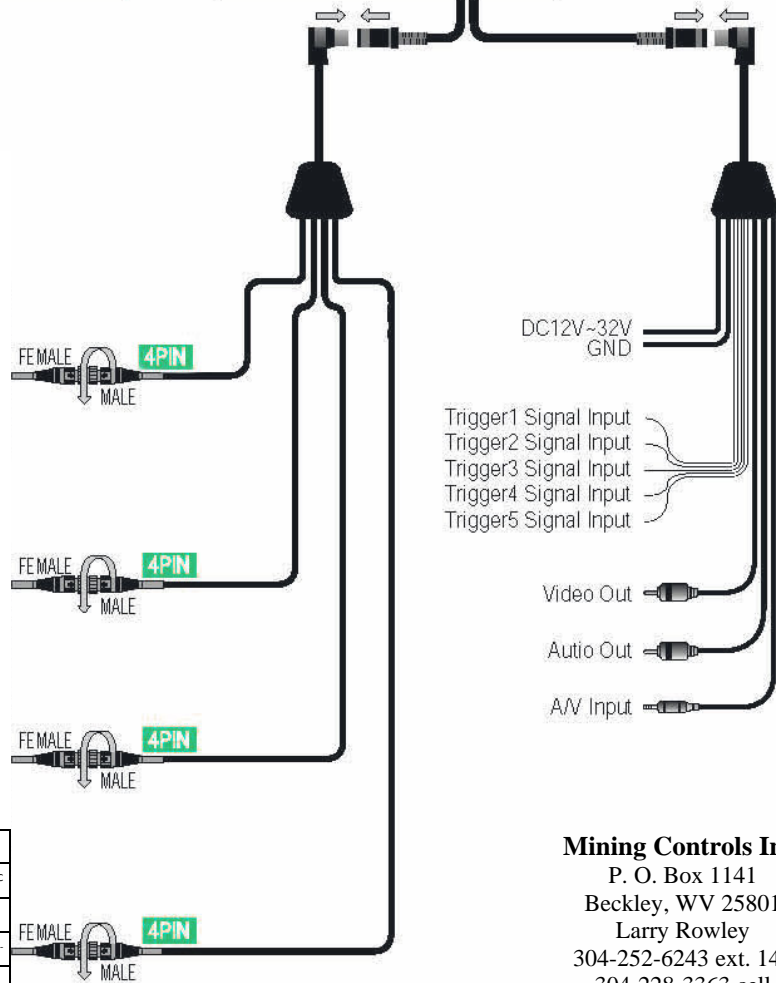
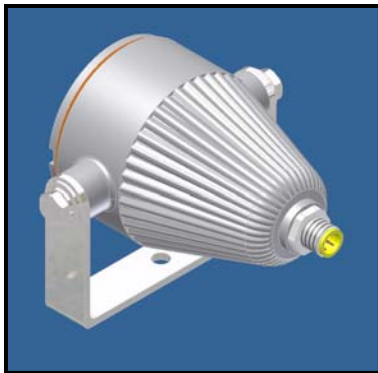
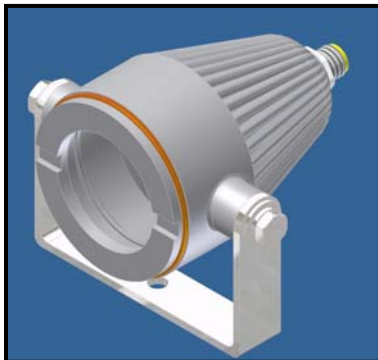
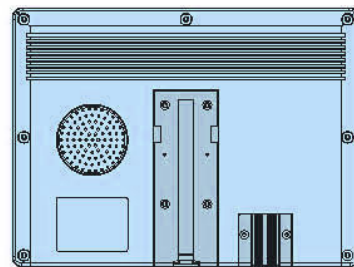
# 7030-34485-14 ( 8" Color LCD Quad Monitor )



## SPECIFICATIONS

Screen Size	8.0"(Diagonal)
Resolution	1440(W) x 234(H)
Contrast Ratio	550:1
Brightness	Max 450cd/m2
Dot Pitch(mm)	0.107(H) x 0.370(V)mm
Active Area(mm)	154.08(H) x 86.58(V)mm
Viewing Angle	Left 75° / Right 75° / Up 55° / Down 60°
Dimensions	8.7"(W) x 6.3"(H) x 1.3"(D)
Color System	NTSC / PAL
Power Consumption	DC 12~32 Volt, Max 9.6W
Operating Temperature	-30°C ~ +80°C (-22°F ~ 176°F)

## SYSTEM WIRING



7030-36040-1	CAMERA MODEL CA 50 WATER TIGHT BLACK & WHITE 8.0 MM, FORWARD VIEWING, HIGH RESOLUTION, 600 LINES, 0.0003 LUX, 12 VDC @ 100mA WITH 5 PIN CONNECTOR PIGTAIL
7030-36040-2	CAMERA MODEL CA 50 WATER TIGHT BLACK & WHITE 3.6 MM, REVERSE VIEWING, RESOLUTION 400 LINES, 0.1 LUX, 12 VDC @ 120 mA WITH 5 PIN CONNECTOR PIGTAIL
7030-36040-3	CAMERA MODEL CA 50 WATER TIGHT BLACK & WHITE 3.6 MM, FORWARD VIEWING, HIGH RESOLUTION, 600 LINES, 0.0003 LUX, 12 VDC @ 100mA WITH 5 PIN CONNECTOR PIGTAIL
7030-36040-4	CAMERA MODEL CA 50 WATER TIGHT COLOR 3.6 MM, FORWARD VIEWING, HIGH RESOLUTION, 700 TV LINES, 0.05 LUX, 10-13 VDC @ 110mA WITH 5 PIN CONNECTOR PIGTAIL
7030-36040-5	CAMERA MODEL CA 50 WATER TIGHT WITH CAMERA ASSEMBLY COLOR 380 TV LINES ( 0.5 LUX ) 3.6 MM LENS FORWARD VIEWING 12 VDC 120mA AND WITH 5 PIN CONNECTOR PIGTAIL
7030-36040-6	CAMERA MODEL CA 50 WATER TIGHT CAMERA ASSEMBLY COLOR 380 TV LINES ( 0.5 LUX ) 2.97 MM LENS MIRROR MODE VIEWING 12 VDC 120mA AND WITH 5 PIN CONNECTOR PIGTAIL
7030-36040-7	CAMERA MODEL CA 50 WATER TIGHT BLACK & WHITE 3.6 MM, FORWARD VIEWING, HIGH RESOLUTION, 600 LINES, 0.0003 LUX, 12 VDC @ 100mA WITH 5 PIN CONNECTOR

**Mining Controls Inc.**  
 P. O. Box 1141  
 Beckley, WV 25801  
 Larry Rowley  
 304-252-6243 ext. 147  
 304-228-3363 cell  
 larry.rowley@elginindustries.com