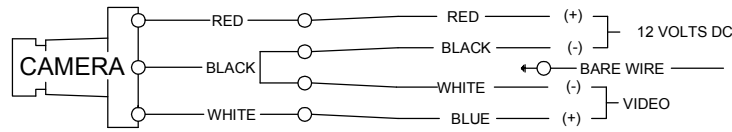
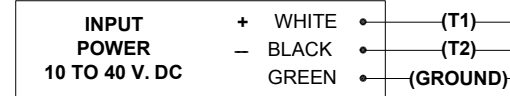


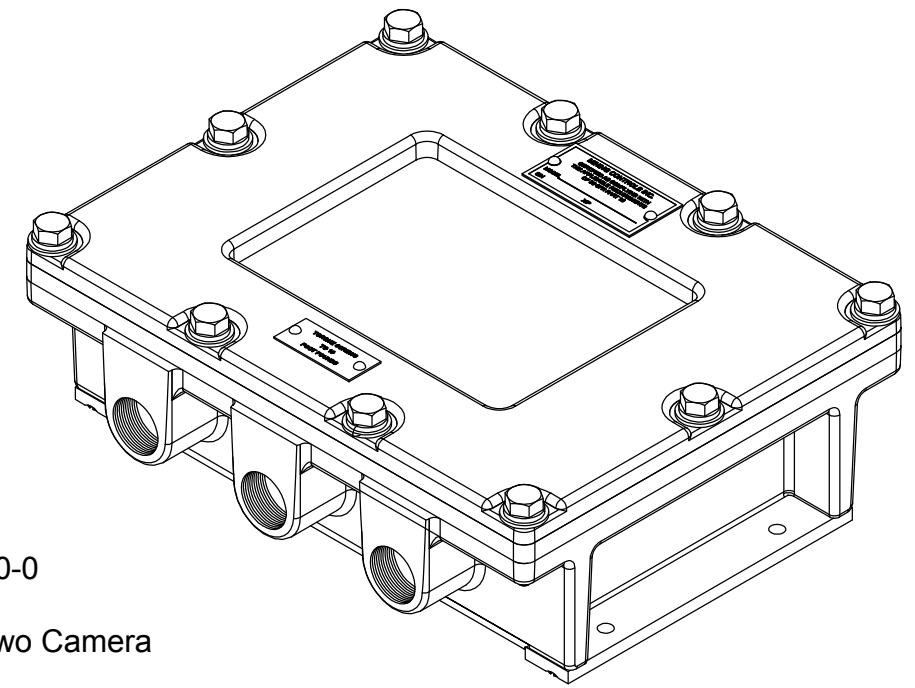
**WIRING: BACK VIEW OF CAMERA**  
 1 = VIDEO / 2 = COM / 3 = 12 VOLT DC. (+)



15 FT 6012-51235 # 16-3 SOOW CABLE  
 10 FT 6013-51135 CONDUIT HOSE

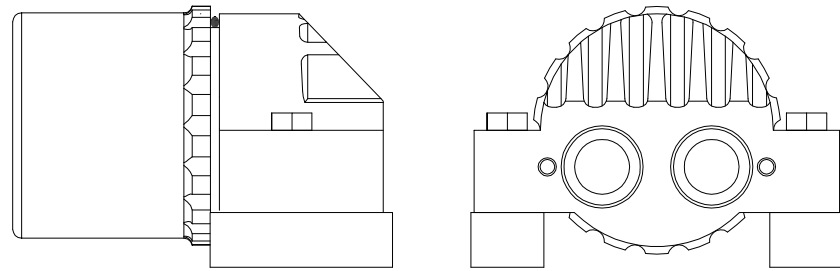


PACKING GLAND  
 7017-20501-1G-039

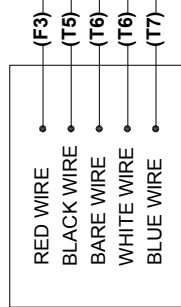
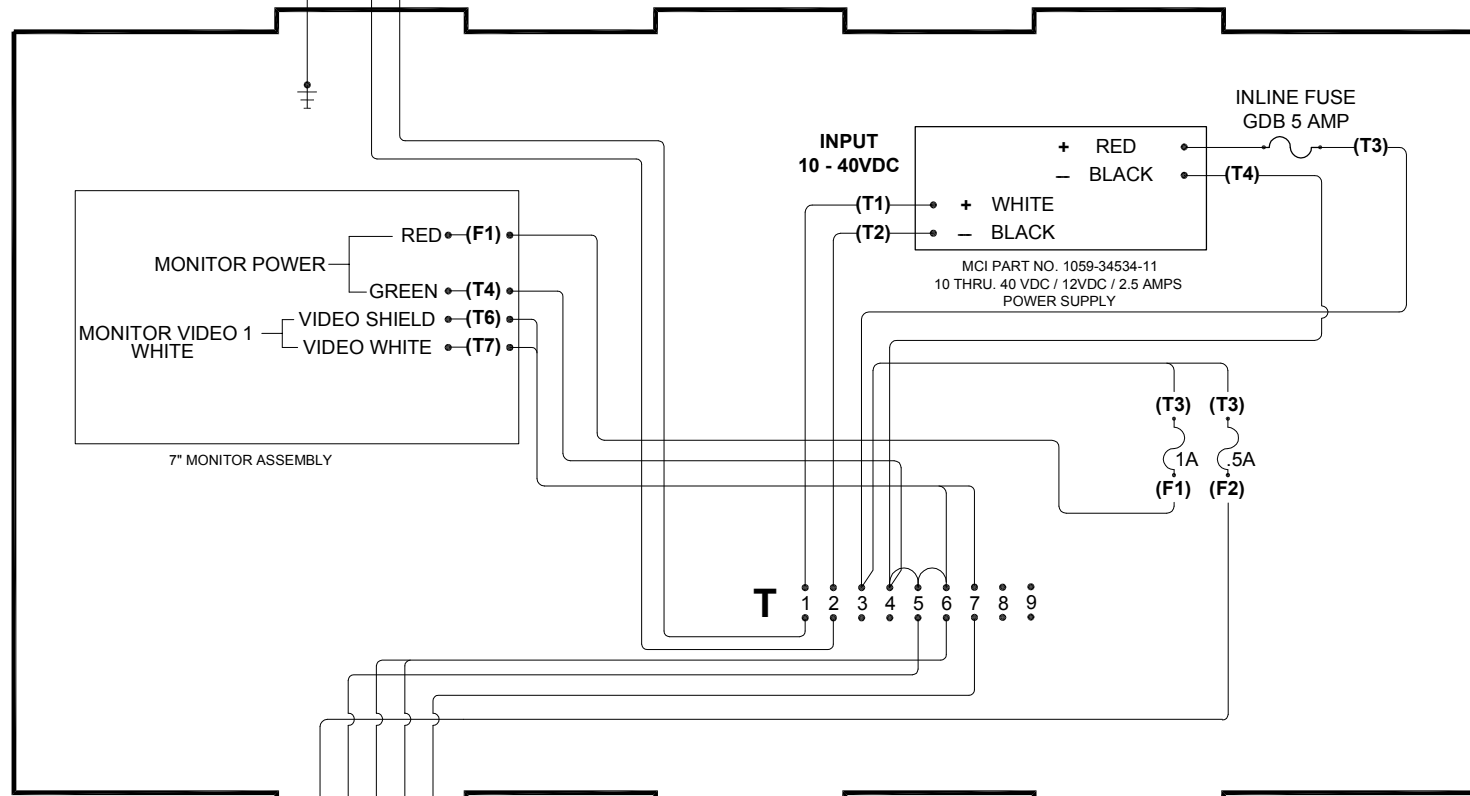
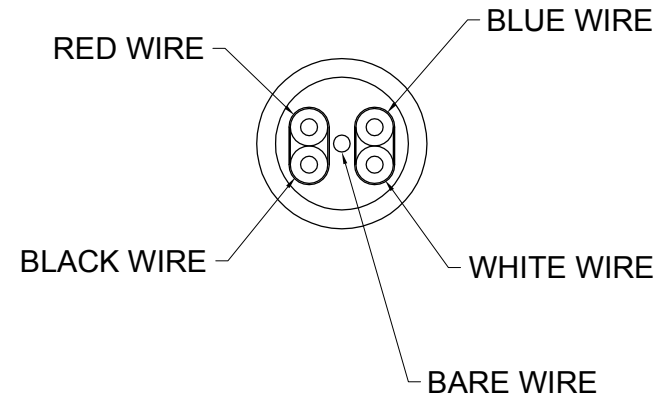


**MODEL 34551 CERT. 18-XPA050010-0**  
**P/N 7015-34551-13**  
**7" LCD Monitor With XIP Enclosure For Two Camera**

**MODEL MCI50XP CERT. XP 3938-0 & -1**  
**P/N 7015-34290-16**  
**EXPLOSION-PROOF CAMERA ASSEMBLY**  
**470 TV LINES 0.7 LUX 4.0 MM LENS 9 - 15 VDC @ 110mA**



6012-51139-11  
 2 PAIR-24 GA. SHIELDED VIDEO AND POWER CABLE



**CAMERA 1**

PACKING GLAND  
 7017-20501-G-028

55 FT 6012-51139-11 2 PAIR 24 GA. SHIELDED VIDEO AND POWER CABLE  
 50 FT 6013-51135 CONDUIT HOSE

4 EA. 2024-20057-1SA STEEL PLUG



TITLE: **WIRING DIAGRAM**  
 MONITOR, CAMERA & CONNECTOR

DATE DRAWN	DRAWN BY	CHECKED BY	PART NUMBER	REV.