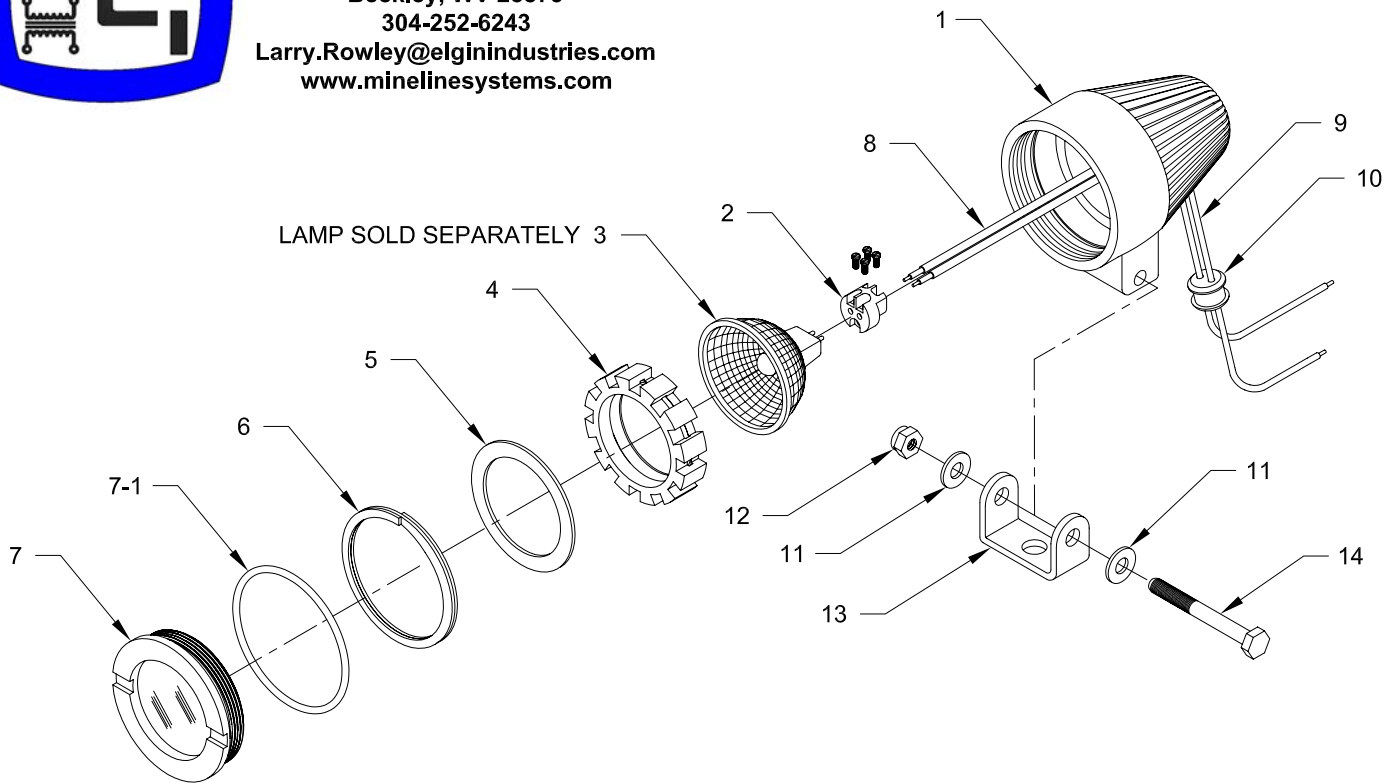




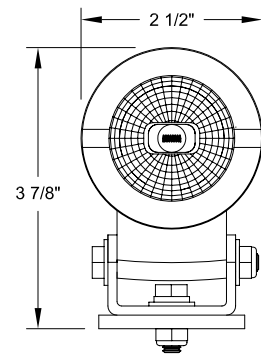
Mine Lighting Systems
 Mining Controls Inc.
 P.O. Box 1141
 Beckley, WV 25873
 304-252-6243
 Larry.Rowley@elginindustries.com
 www.minelinesystems.com



7030-35880

T50 Standard Swivel Mount Head Light With Inline Screw Socket And No Lamp

| Item | Qty. | Part Number | Description |
|------|-------|----------------|---------------------------|
| 1 | 1 | 2010-35771-2 | Alum. Housing |
| 2 | 1 | 2020-32773-3 | Socket |
| 3 | 1 | See Bulb Chart | Bulb Sold Separately |
| 4 | 1 | 3018-33571-3 | Lamp Holder |
| 5 | 1 | 1031-33578 | Black Ring |
| 6 | 1 | 3015-33835 | Snap Ring |
| 7-1 | 1 | 2019-29731-6 | O Ring |
| 7 | 1 | 2010-34128 | Clear Lens Assembly |
| 8 | 1 FT. | 1051-33726 | Sleeving |
| 9 | 3 FT. | 6012-33581 | Socket Wire |
| 10 | 1 | 3018-33620-2 | Wire Grip And Seal |
| 11 | 2 | 1041-50026 | 1/4" Flat Washer |
| 12 | 1 | 1041-50024-2 | Nylon Lock Nut 1/4-20 Hex |
| 13 | 1 | 2022-33620-1 | "U" Mounting Bracket |
| 14 | 1 | 1041-50003-18 | Bolt 1/4-20 X 2-1/4 |



FIXTURE WEIGHT 2 LB. MAX.

