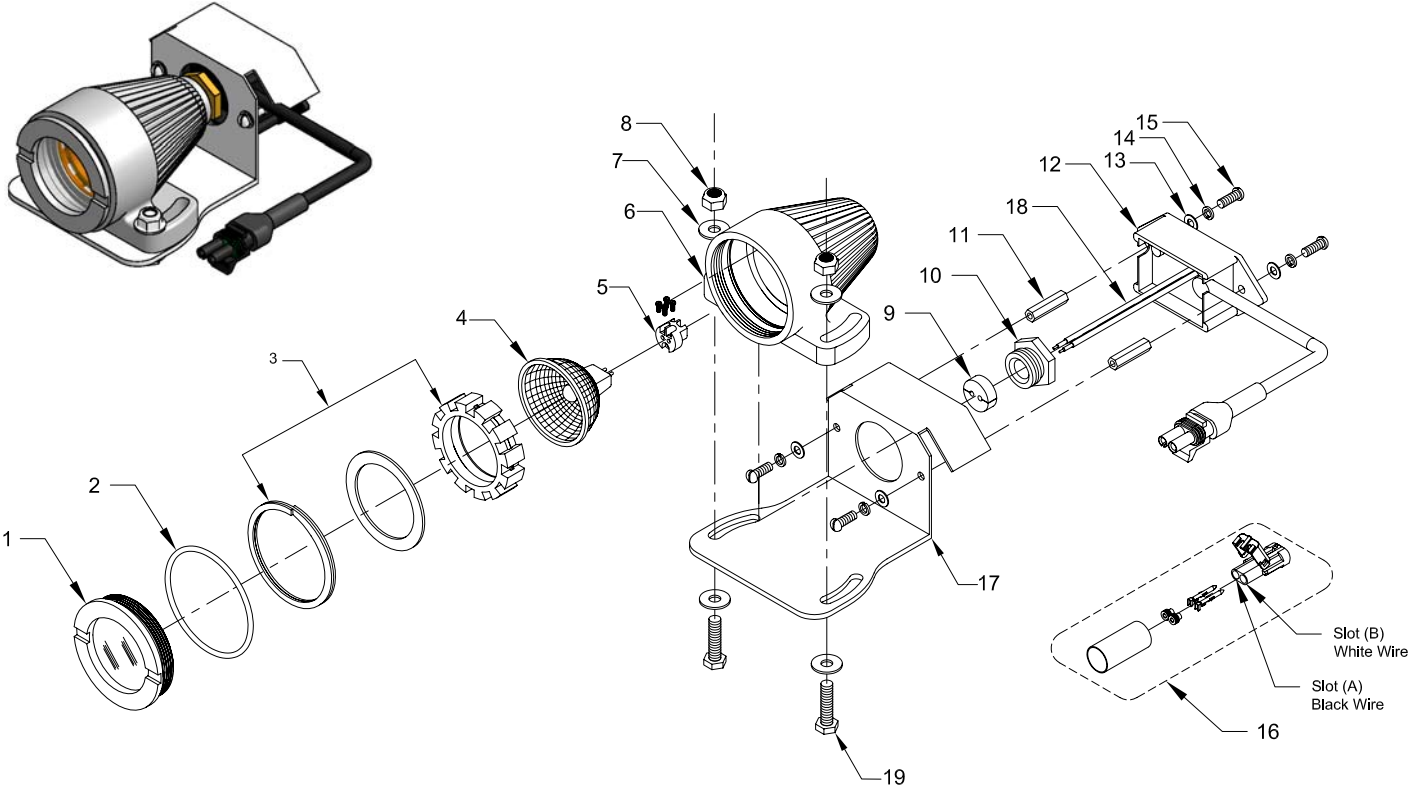




**Mine Lighting Systems  
Mining Controls Inc.**  
P.O. Box 1141  
Beckley, WV 25873  
304-252-6243  
Larry.Rowley@elginindustries.com  
www.minelinesystems.com



Note: Wiring The Connector  
Slot (A) Black Wire = 24 DC Volts Positive  
Slot (B) White Wire = 24 DC Volts Negative

**7030-35870-6**

## Model MCI50 Water Tight Fixture With In-Line Screw Socket, 50 Watt Flood Lamp, 24 Volt Regulator Ballast and 12" Weather Pak Pigtail Connector

Item	Qty.	Part Number	Description
1	1	2010-34128	Clear Lens Assembly
2	1	2019-29731-6	O Ring
3	1	2023-34238-1	Lamp Holder Kit
3-1	1	3015-33835	Snap Ring
3-2	1	1031-33578-1	Black Ring
3-3	1	3018-33571-3	Lamp Holder
4	1	2021-29730-4	Lamp 50Watt 24Volt Flood
5	1	2020-32773-3	Socket With Lock Screws Inline
6	1	2010-35770-2	Housing Machined MCI 50 Threaded
7	4	1041-50026	Flat Washer 1/4"
8	2	1041-50024-2	1/4"-20 Hex Nylon Nut
9	1	1038-33577-2	Grommet w/ 2 EA. .118 Holes

Item	Qty.	Part Number	Description
10	1	2014-33570-1	Weather Pack Receptacle Assembly
11	2	1041-50239-4	1/4" Hex Standoff 1" LG 8-32 Screw Size
12	1	2023-34050-3	Regulator Ballast
13	4	1041-50030	Flat Washer #8
14	4	1041-50031	Lock Washer #8
15	4	1041-50002-2	#8-32 x 1/2 LG Machine Screw
16	1	1037-34348-6	Lamp Holder
17	1	2022-35388-1	Mounting Bracket For New MCI 50
18	1 FT.	1051-33726	Socket Wire Sleeveing
19	2	1041-50003-3	Bolt 1/4"-20 x 1 Hex

www.minelightsystems.com  
Mining Controls Inc. 304-252-6243