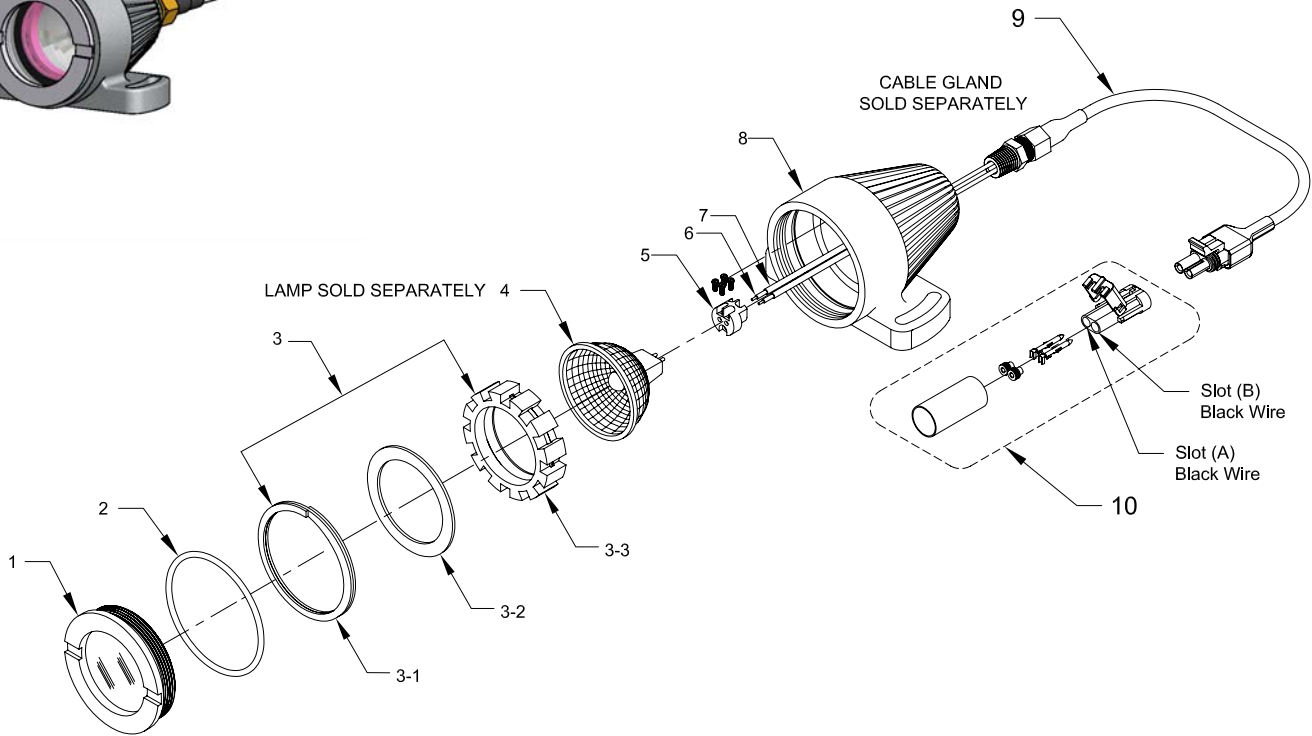
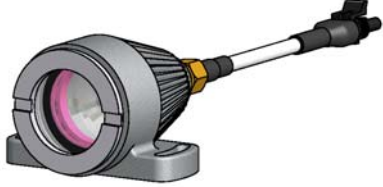




**Mine Lighting Systems  
Mining Controls Inc.**  
P.O. Box 1141  
Beckley, WV 25873  
304-252-6243  
Larry.Rowley@elginindustries.com  
www.minelinesystems.com

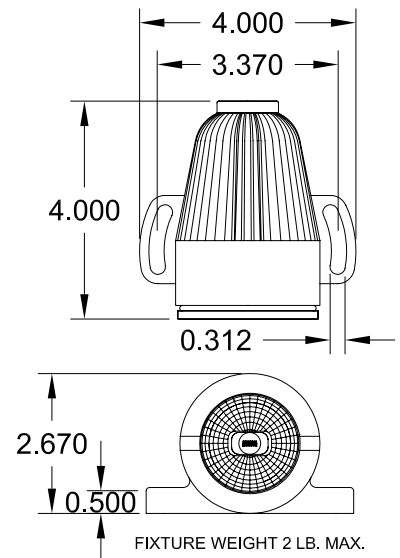


Note: Wiring The Connector  
Slot (A) White Wire = 12 Volts Positive  
Slot (B) Black Wire = 12 Volts Negative

## 7030-35870-5

### Model MCI50 Water Tight Fixture With In-Line Screw Socket, 50 Watt 120 VAC/DC Flood Lamp and 12" Weather Pak Pigtail Connector

Item	Qty.	Part Number	Description
1	1	2010-34128	Clear Lens Assembly
2	1	2019-29731-6	O Ring
3	1	2023-34238-1	Lamp Holder Kit
3-1	1	3015-33835	Snap Ring
3-2	1	1031-33578-1	Black Ring
3-3	1	3018-33571-3	Lamp Holder
4	1	2021-29730-17	Bulb 50 Watt 120 Volt
5	1	2020-32773-3	Socket With Lock Screws Inline
6	3 FT.	6012-33581	Socket Wire
7	1 FT.	1051-33726	Socket Wire Sleevling
8	1	2010-35770-2	Alum. Housing
9	1	1037-34348-5	Weather Pack Straight Pigtail Assembly
10	1	1037-34348-6	Weather Pack Receptacle Assembly



www.minelightsystems.com  
Mining Controls Inc. 304-252-6243