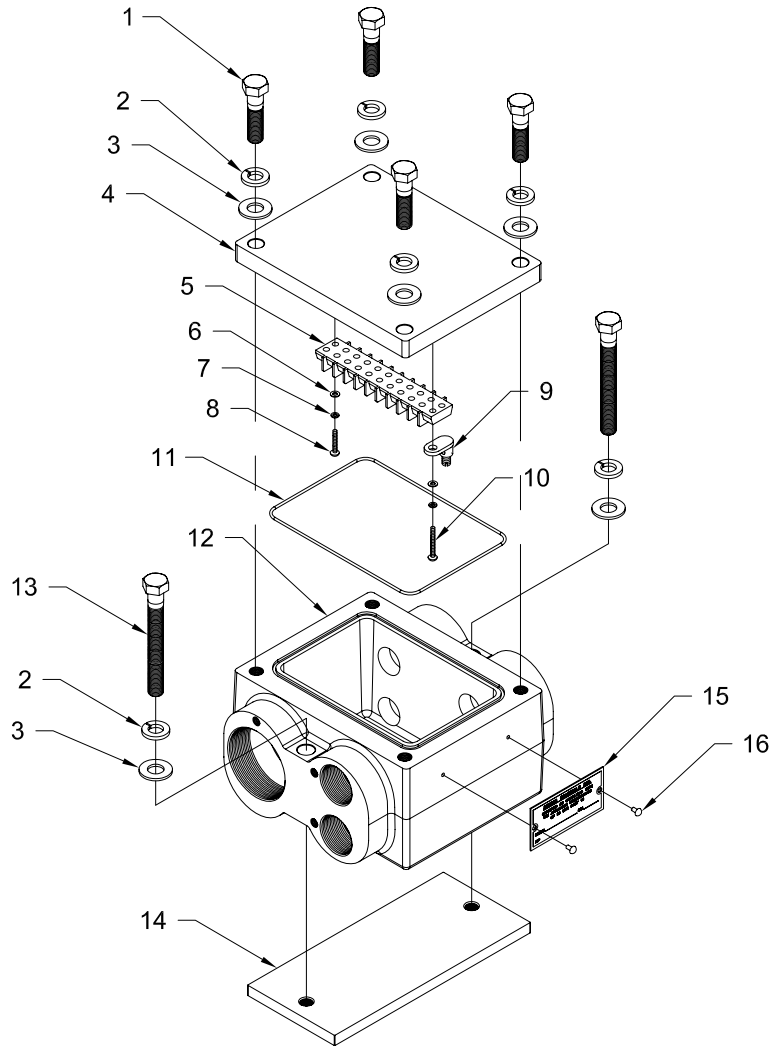




Mine Lighting Systems  
Mining Controls Inc.  
P.O. Box 1141  
Beckley, WV 25873  
304-252-6243

[larry.rowley@elginindustries.com](mailto:larry.rowley@elginindustries.com)  
[www.minelinesystems.com](http://www.minelinesystems.com)



7015-35400-611

CONNECTION ENCLOSURE ASSEMBLY

Item	Qty.	Part Number	Description
1	4	1041-50006-4	3/8 - 16 X 1 1/4 HEX BOLT
2	6	1041-50008	3/8" LOCK WASHER
3	6	1041-50007	3/8" FLAT WASHER
4	1	2010-29950-1	ALUMINUM COVER
5	1	1036-31476-2	9 POINT TERMINAL BLOCK
6	2	1041-50284	WASHER M3.5 FLAT
7	2	1041-50042	WASHER # 6 LOCK
8	1	1041-50038-1	SCREW # 6-32 X 1/2 ROUND HEAD
9	1	1035-20281-3	GROUND LUG
10	1	1041-50038-15	SCREW # 6-32 X 5/8 ROUND HEAD
11	1	1033-35436	O-RING
12	1	2010-35403-11	HOUSING WITH 7 PACKING GLAND OPENING
13	2	1041-50006-9	3/8 - 16 X 3 HEX BOLT
14	1	2022-35418-1	WELD PAD
15	1	1044-20011	CERTIFICATION TAG
16	2	1041-50005	DRIVE SCREW 4 X 3/16"

