

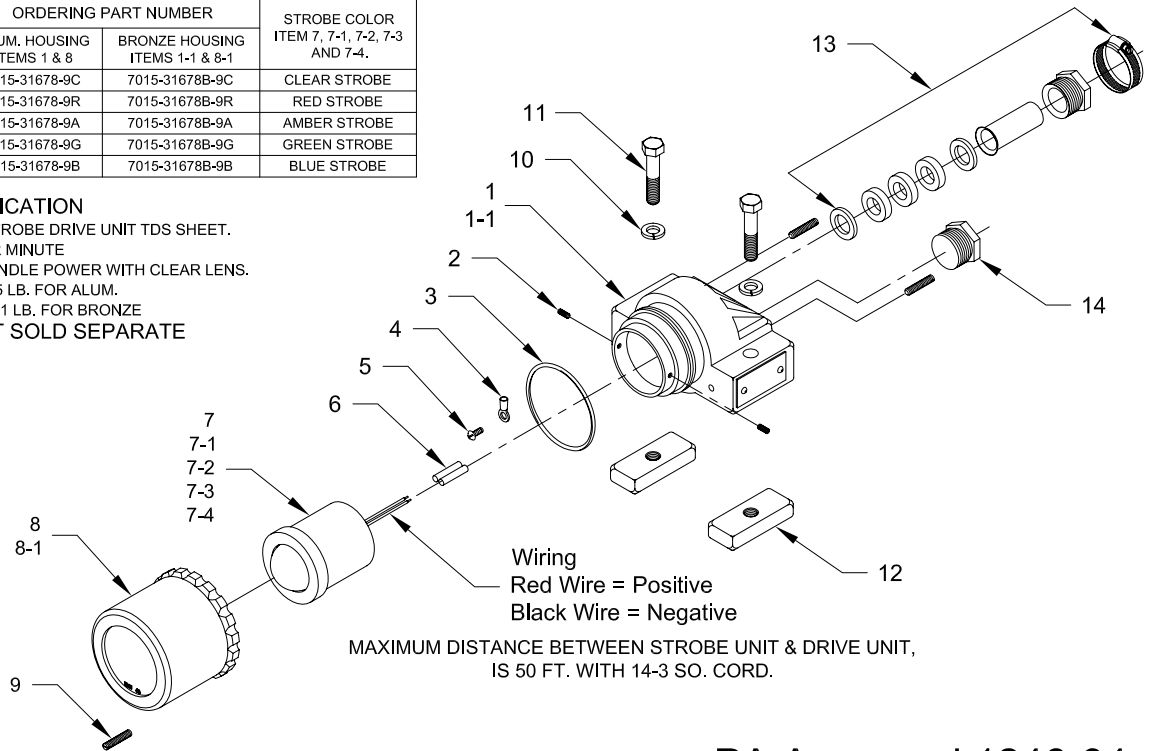


**Mine Lighting Systems  
Mining Controls Inc.**  
P.O. Box 1141  
Beckley, WV 25873  
304-252-6243  
larry.rowley@elginindustries.com  
www.minelinesystems.com

STROBE LIGHT FIXTURE ORDER INFORMATION			
FIXTURE	ORDERING PART NUMBER		STROBE COLOR ITEM 7, 7-1, 7-2, 7-3 AND 7-4.
	ALUM. HOUSING ITEMS 1 & 8	BRONZE HOUSING ITEMS 1-1 & 8-1	
STANDARD STROBE LIGHT ASSEMBLY	7015-31678-9C	7015-31678B-9C	CLEAR STROBE
	7015-31678-9R	7015-31678B-9R	RED STROBE
	7015-31678-9A	7015-31678B-9A	AMBER STROBE
	7015-31678-9G	7015-31678B-9G	GREEN STROBE
	7015-31678-9B	7015-31678B-9B	BLUE STROBE

**OPERATING SPECIFICATION**

FIXTURE VOLTAGE: SEE STROBE DRIVE UNIT TDS SHEET.  
FLASH RATE: 68 TIMES PER MINUTE  
LIGHT OUTPUT: 300,000 CANDLE POWER WITH CLEAR LENS.  
FIXTURE WEIGHT 5 LB. FOR ALUM.  
11 LB. FOR BRONZE  
STROBE DRIVE UNIT SOLD SEPARATE

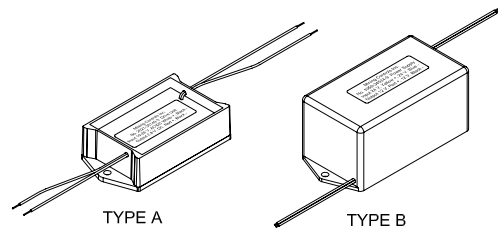
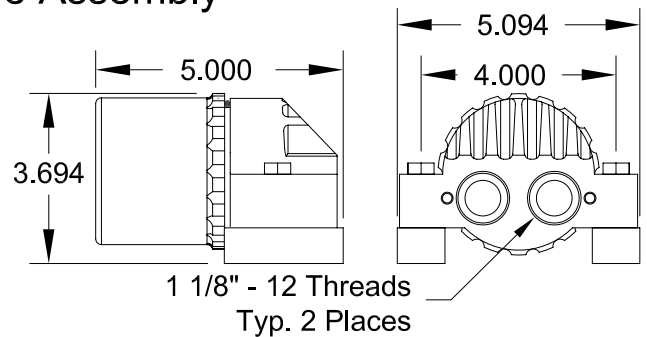


7015-31678B-9R

PA Approved 1246-94  
MSHA Approved XP-3938-0 AND -1

**Model MCI 50-XP Strobe Light Fixture Assembly**

Item	Qty.	Part Number	Description
1	1	2010-31678H-A	Alum. Housing
1-1	1	2011-34053-B	Brass Housing
2	2	1041-50129-4	Screw 8-32 X 1/4" Set
3	1	2019-31137-1	O-Ring
4	1	1035-20301-2	Ring Terminal Lug
5	1	1041-50002-1	Screw 8-32 X 1/4" Round Head
6	2	1035-20304-5	Butt Splice For 22-18 AWG Wire
7	1	2021-34465-C	Clear Strobe Light Assembly
7-1	1	2021-34465-A	Amber Strobe Light Assembly
7-2	1	2021-34465-B	Blue Strobe Light Assembly
7-3	1	2021-34465-G	Green Strobe Light Assembly
7-4	1	2021-34465-R	Red Strobe Light Assembly
8	1	2013-35120-1A	Short Alum. Lens Ring Assembly
8-1	1	2013-35120-1B	Short Brass Lens Ring Assembly
9	3	1041-50020-9	Screw 1/4-20 X 1" Set
10	2	1041-50008	Lock Washer 3/8
11	2	1041-50006-6	Bolt 3/8-16 X 1-3/4" Hex Head
12	2	2022-32974	Mounting Foot
13		Packing Gland	Sold Separate
14		Steel Plug	Sold Separate



THIS ASSEMBLY REQUIRES STROBE DRIVE UNITS

PART NUMBER	INPUT VOLTAGE	TYPE
2021-35140	85 - 265 V AC. OR 110 - 330 V. DC.	B
2021-35140-3	10 - 26 V. AC/DC.	A
2021-35140-4	36 - 76 V. DC.	A