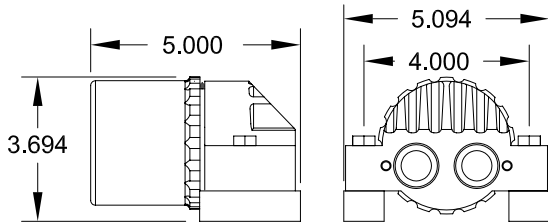




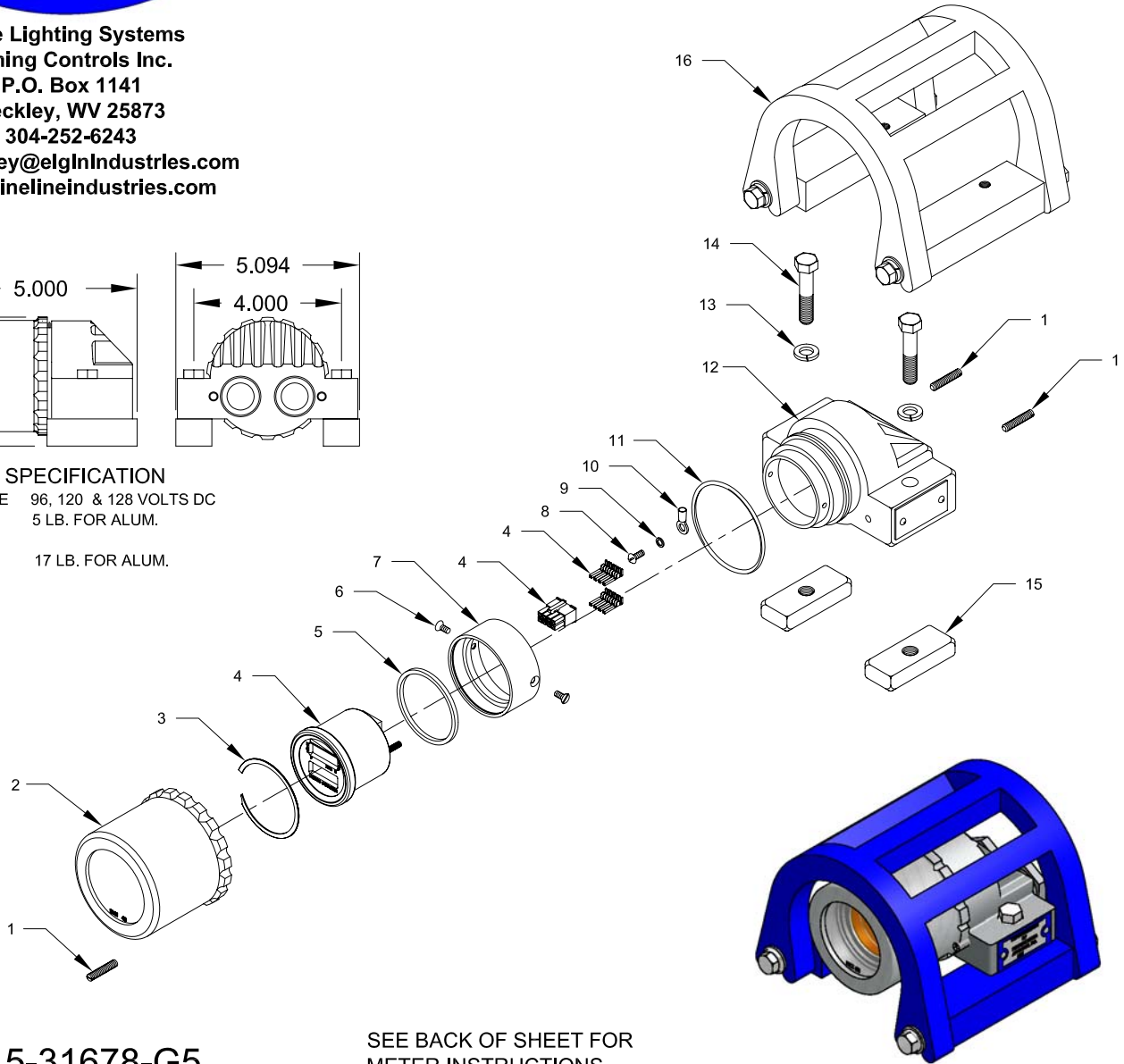
**Mine Lighting Systems
Mining Controls Inc.**
P.O. Box 1141
Beckley, WV 25873
304-252-6243

larry.rowley@elginindustries.com
www.minelineindustries.com



OPERATING SPECIFICATION

METER VOLTAGE 96, 120 & 128 VOLTS DC
METER WEIGHT 5 LB. FOR ALUM.
METER WEIGHT WITH GUARD 17 LB. FOR ALUM.



7015-31678-G5

SEE BACK OF SHEET FOR
METER INSTRUCTIONS.

Model MCI 50-XP Battery Capacity & Hour Meter Assembly

Item	Qty.	Part Number	Description
1	3	1041-50009-3	1/4" - 20 X 1" Set Screw
2	1	2013-35120-1A	Alum. Lens Ring Assembly
3	1	3015-33985	Stainless Steel Retainer Ring
4	1	1019-33984-1	Battery Capacity & Hour Meter
5	1	3018-33739-2	Meter Cushion Ring
6	2	1041-50002-19	8 - 32 X 1/4" Flat Head Screw
7	1	2010-31678-L3	Meter Retainer
8	1	1041-50002-15	8 - 32 X 3/8" Round Head Screw

Item	Qty.	Part Number	Description
9	1	1041-50008	NO. 8 Lock Washer
10	1	1035-20301-2	Ring Terminal Lug
11	1	2019-31137-1	"O" Ring
12	1	2010-31678H-B	Brass Housing
13	2	1041-50008	3/8" Lock Washer
14	2	1041-50006-7	3/8" - 16 X 2" Hex Bolt
15	2	2022-32974	Mounting Foot
16		2022-32439	Heavy Duty Guard Assembly

www.minelinesystems.com
Mining Controls Inc. 304-252-6243