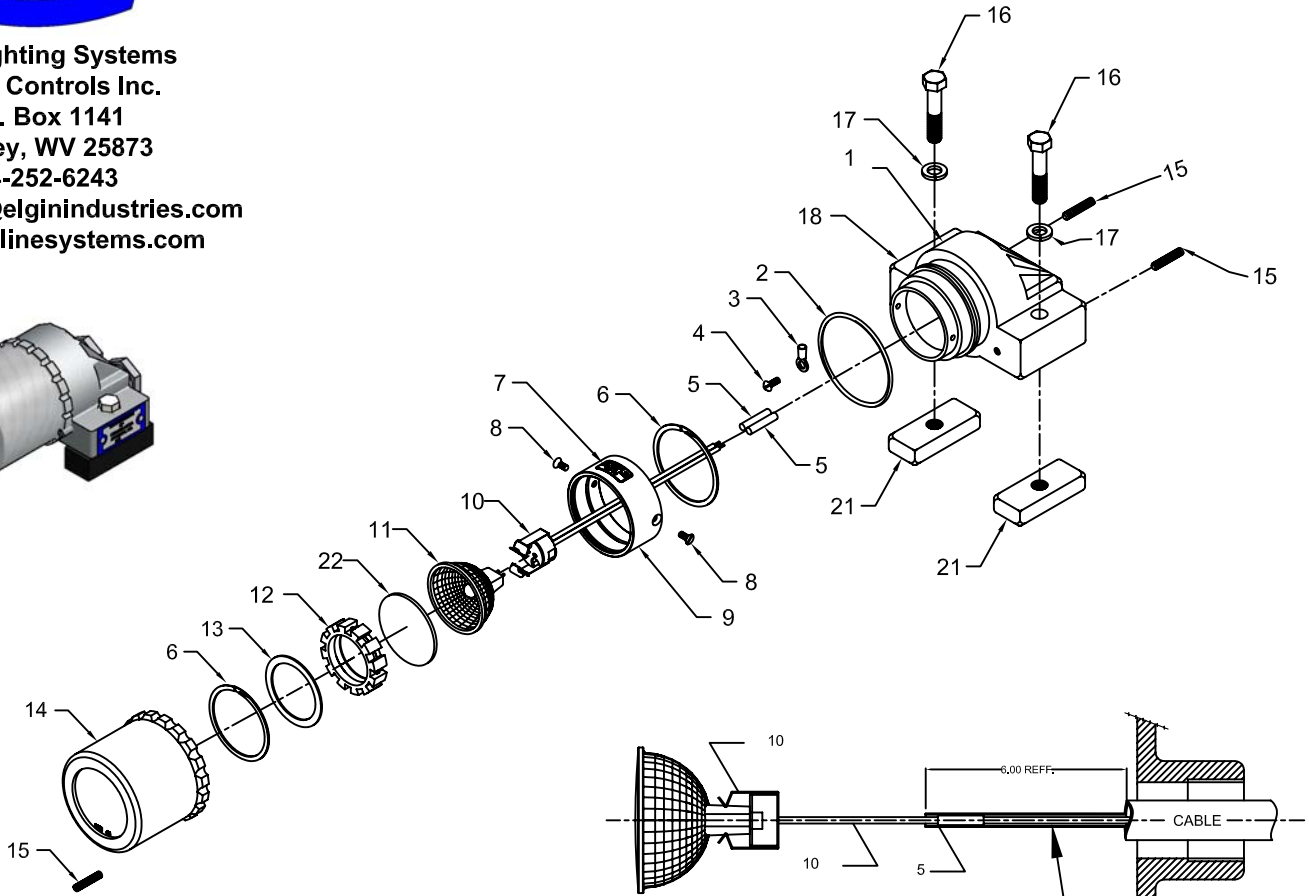




Mine Lighting Systems
Mining Controls Inc.
 P.O. Box 1141
 Beckley, WV 25873
 304-252-6243

larry.rowley@elginindustries.com
www.minelinesystems.com



7015-31678-B-RK

Item	Qty.	Part Number	Description
1	1	2011-31678H-B	HOUSING BRASS
2	1	2019-31137-1	O-RING
3	1	1035-20301-2	RING TERMINAL #10
4	2	1041-50002-15	SCREW 8-32 X 3/8" ROUND HEAD
5	2	1035-20304-1	BUTT SPLICE FOR 14-16 AWG WIRE
6	1	3015-33835	SNAP RING
7	1	1044-32805	BULB WARNING LABEL
8	1	1041-50002-17	SCREW 8-32 X 3/8" Flat Head
9	1	2010-31678-L4	LAMP HOLDER
10	1	2020-29729-1	SOCKET WITH CLIP
11	1	2021-29730-33	12 Volt 50 Watt Halogen Flood Lamp
12	1	3018-33571-3	STAR LAMP HOLDER
13	1	1031-33578	LAMP RING
14	1	2013-35120-1B	SHORT BRASS LENS RING ASSEMBLY
15	3	1041-50020-9	SET SCREW 1/4-20 X 1"
16	2	1041-50006-6	BOLT 3/8-16 X 1 3/4" HEX HEAD
17	2	1041-50008	LOCK WASHER 3/8
18	4	1041-50005	DRIVE SCREW 4 X 3/16
19	1	1044-20038	PA TAG
20	1	1044-31678-2	CERTIFICATION TAG
21	1	2022-32974	MOUNTING FOOT
22	1	2013-31697-R	Lens Red 1/16" Thick

OPERATING SPECIFICATION

FIXTURE VOLTAGE 12 or VOLTS AC or DC
 FIXTURE WEIGHT 5 LB FOR ALUM

