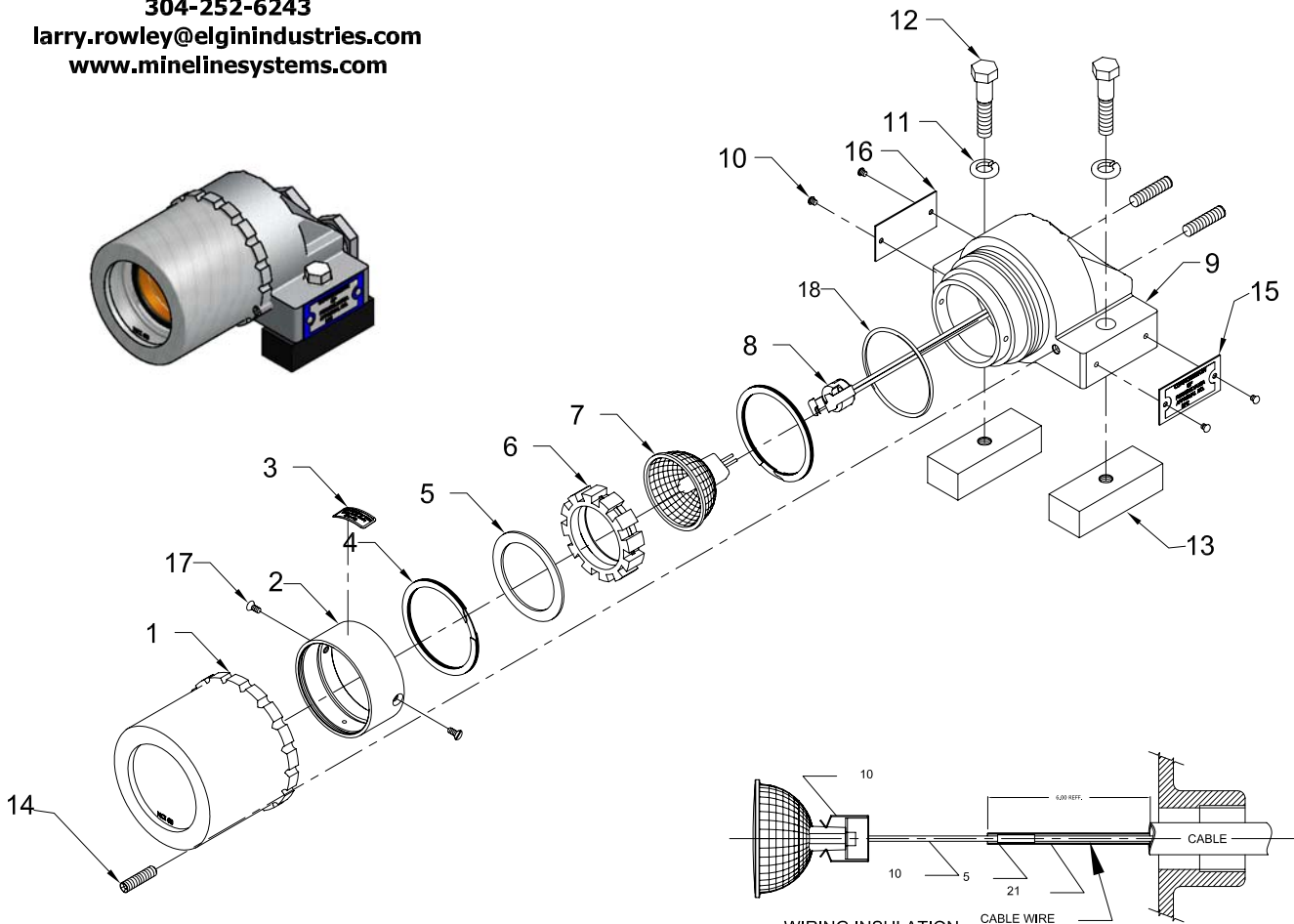




Mine Lighting Systems
 Mining Controls Inc.
 P.O. Box 1141
 Beckley, WV 25873
 304-252-6243

larry.rowley@elginindustries.com
www.minelinesystems.com

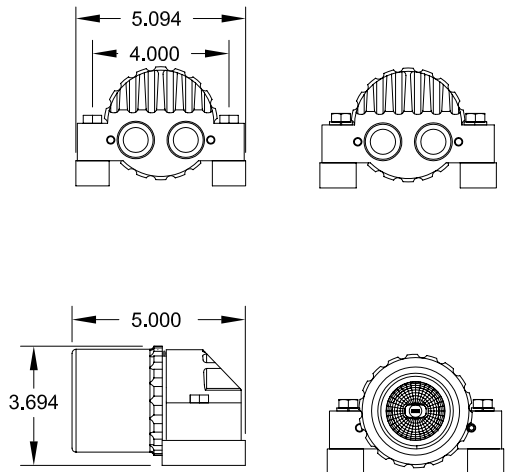


WIRING INSULATION
 USE THE FIBERGLASS SLEEVING ITEM TO ISOLATE AND
 INSULATE THE INCOMING CABLE WIRE.

7015-31678-93

Model 50 XP Head Light With 55 Watt 28 Volt Lamp

Item	Qty.	Part Number	Description
1	1	2013-35120-1A	Short Alum. Lens Ring Assembly
2	1	2010-31678-L4	Holder Lamp and Camera
3	1	1044-32805	Bulb Warning Label
4	2	3015-33835	Snap Ring
5	1	1031-33578	Black Ring
6	1	3018-33571-3	Star Lamp Holder
7	1	2021-29730-15	55 Watt 28 Volt MR-16 Bulb
8	1	2023-29726-8	MCI 50 XP Socket Clip
9	1	2010-31678H-A	Alum. Housing
10	4	1041-50005	Drive Screw
11	2	1041-50008	Lock Washer 3/8"
12	2	1041-50006-6	3/8"-16 x 1-3/4" HEX
13	2	2022-32974	3/4" Mounting Pad For MCI 50 XP
14	1	1041-50020-9	1/4"-20 x 1" Set Screw
15	1	1044-20038	PA Tag
16	1	1044-31678-2	Certification Tag
17	2	1041-50002-17	8-32 x 3/8" Flat Head Slotted Screw
18	1	2019-31137-1	"O" Ring



www.minelinesystems.com
 Mining Controls Inc. 304-252-6243