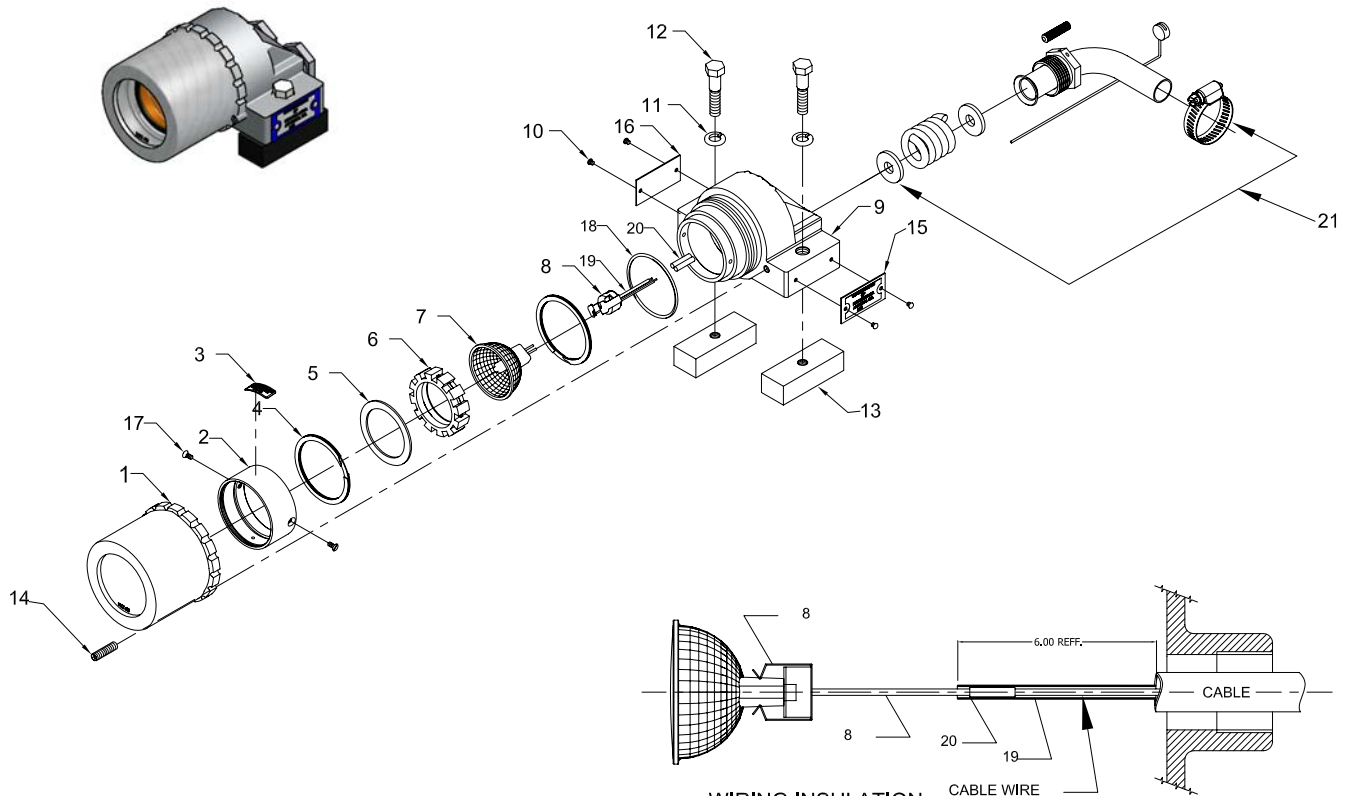




**Mine Lighting Systems  
Mining Controls Inc.  
P.O. Box 1141  
Beckley, WV 25873  
304-252-6243**

**larry.rowley@elginindustries.com  
www.minelinesystems.com**

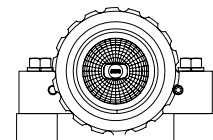
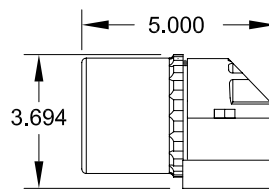
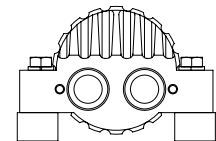
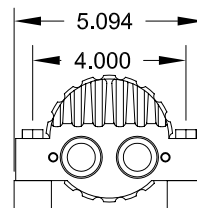


**WIRING INSULATION**  
USE THE FIBERGLASS SLEEVING ITEM 19.  
TO ISOLATE AND INSULATE THE INCOMING CABLE WIRE.

**7015-31678-85**

## Model 50 XP Head Light

| Item | Qty. | Part Number   | Description                         |
|------|------|---------------|-------------------------------------|
| 1    | 1    | 2013-35120-1A | Short Alum. Lens Ring Assembly      |
| 2    | 1    | 2010-31678-L4 | Holder Lamp and Camera              |
| 3    | 1    | 1044-32805    | Bulb Warning Label                  |
| 4    | 2    | 3015-33835    | Snap Ring                           |
| 5    | 1    | 1031-33578    | Black Ring                          |
| 6    | 1    | 3018-33571-3  | Star Lamp Holder                    |
| 7    | 1    | 202129730-33  | 50 Watt 120 Volt MR-16 Bulb         |
| 8    | 1    | 2023-29726-8  | MCI 50 XP Socket Clip               |
| 9    | 1    | 2010-31678H-A | Alum. Housing                       |
| 10   | 4    | 1041-50005    | Drive Screw                         |
| 11   | 2    | 1041-50008    | Lock Washer 3/8"                    |
| 12   | 2    | 1041-50006-6  | 3/8"-16 x 3/4" HEX                  |
| 13   | 2    | 2022-32974    | 3/4" Mounting Pad For MCI 50 XP     |
| 14   | 1    | 1041-50020-9  | 1/4"-20 x 1" Set Screw              |
| 15   | 1    | 1044-20038    | PA Tag                              |
| 16   | 1    | 1044-31678-2  | Certification Tag                   |
| 17   | 2    | 1041-50002-17 | 8-32 x 3/8" Flat Head Slotted Screw |
| 18   | 1    | 2019-31137-1  | "O" Ring                            |
| 19   | 2ft. | 1051-56537    | Sleeving Fiberglass                 |
| 20   | 2    | 1035-20304-1  | Butt Splice For 14-16 AWG Wire      |
| 21   | 1    | 7017-20504-2  | Packing Gland                       |



**www.minelinesystems.com  
Mining Controls Inc. 304-252-6243**