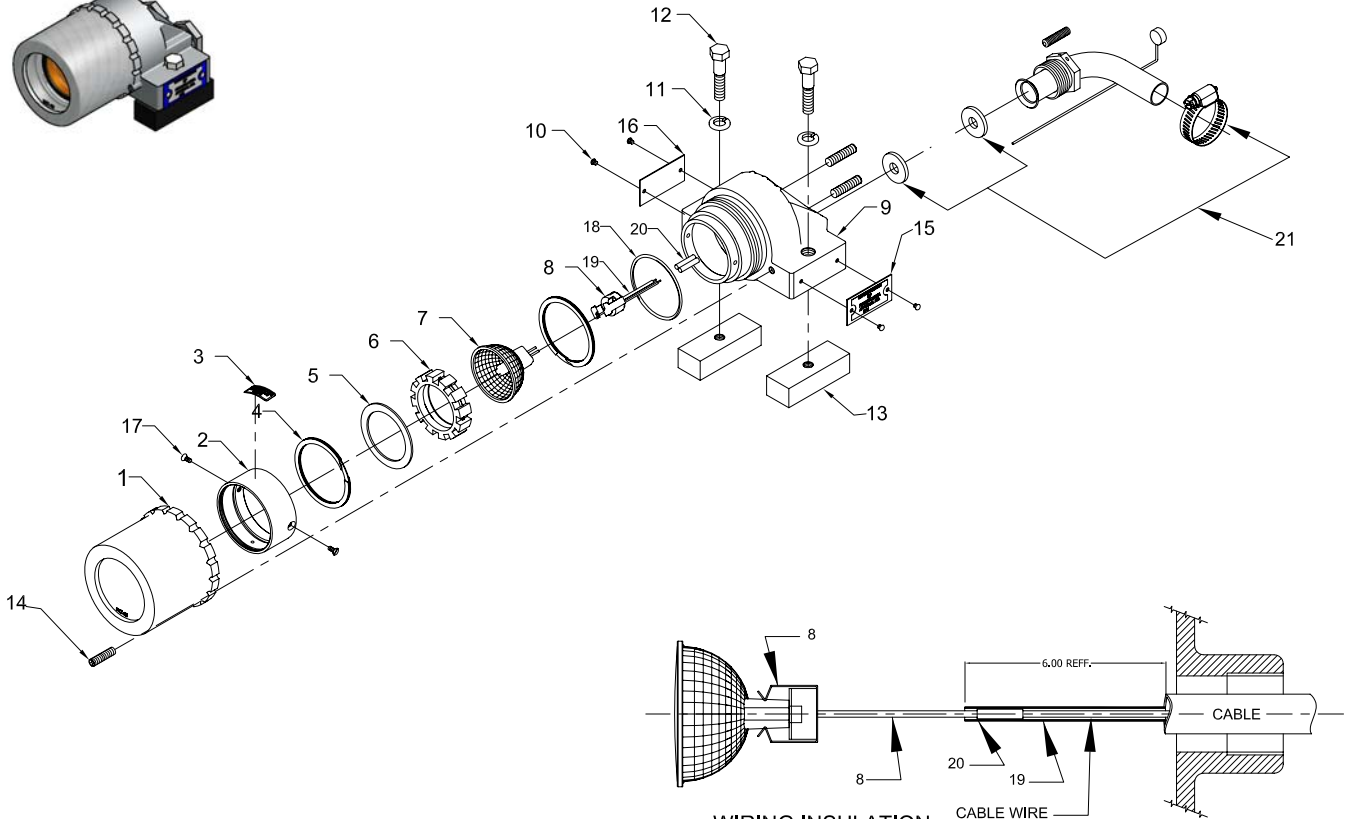




**Mine Lighting Systems  
Mining Controls Inc.**  
P.O. Box 1141  
Beckley, WV 25873  
304-252-6243

[larry.rowley@elginindustries.com](mailto:larry.rowley@elginindustries.com)  
[www.minelinesystems.com](http://www.minelinesystems.com)

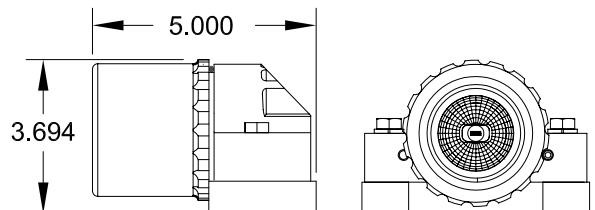
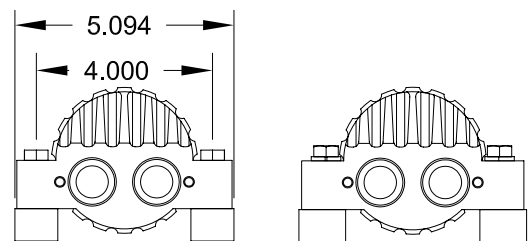


**WIRING INSULATION**  
USE THE FIBERGLASS SLEEVING ITEM 19.  
TO ISOLATE AND INSULATE THE INCOMING CABLE WIRE.

**7015-31678-7**

## Model 50 XP Head Light

Item	Qty.	Part Number	Description
1	1	2013-35120-1A	Short Alum. Lens Ring Assembly
2	1	2010-31678-L4	Holder Lamp and Camera
3	1	1044-32805	Bulb Warning Label
4	2	3015-33835	Snap Ring
5	1	1031-33578	Black Ring
6	1	3018-33571-3	Star Lamp Holder
7	1	202129730-33	50 Watt 12 Volt MR-16 Bulb
8	1	2023-29726-8	MCI 50 XP Socket Clip
9	1	2010-31678H-A	Alum. Housing
10	4	1041-50005	Drive Screw
11	2	1041-50008	Lock Washer 3/8"
12	2	1041-50006-6	3/8"-16 x 3/4" HEX
13	2	2022-32974	3/4" Mounting Pad For MCI 50 XP
14	1	1041-50020-9	1/4"-20 x 1" Set Screw
15	1	1044-20038	PA Tag
16	1	1044-31678-2	Certification Tag
17	2	1041-50002-17	8-32 x 3/8" Flat Head Slotted Screw
18	1	2019-31137-1	"O" Ring
19	2ft.	1051-56537	Sleeving Fiberglass
20	2	1035-20304-1	Butt Splice For 14-16 AWG Wire
21	1	7017-20504-2	Packing Gland



[www.minelinesystems.com](http://www.minelinesystems.com)  
Mining Controls Inc. 304-252-6243