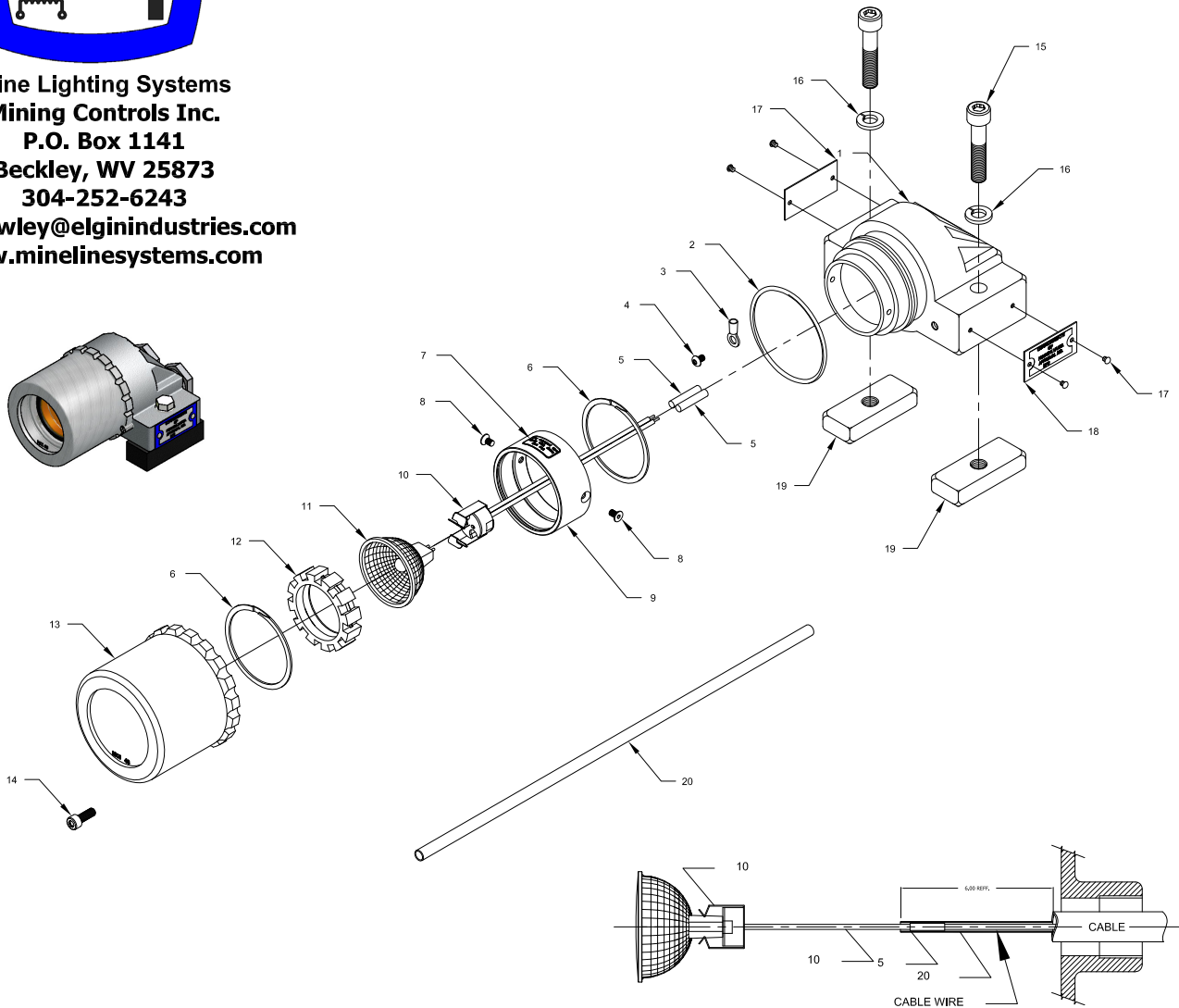


**Mine Lighting Systems
Mining Controls Inc.
P.O. Box 1141
Beckley, WV 25873
304-252-6243**

**larry.rowley@elginindustries.com
www.minelinesystems.com**

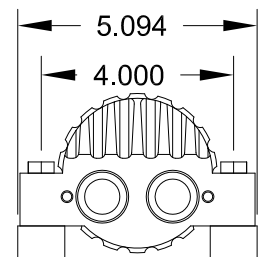
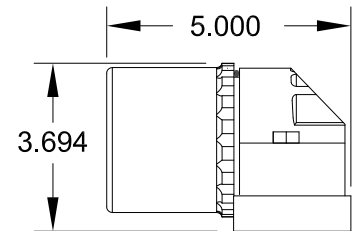


WIRING INSULATION
USE THE FIBERGLASS SLEEVING ITEM 20.
TO ISOLATE AND INSULATE THE INCOMING CABLE WIRE.

7015-31678-BM

Model 50 XP 50 Brass Metric Headlight

Item	Qty.	Part Number	Description
1	1	2011-32717-1B	HOUSING METRIC BRASS WITH 2 EACH M25 X 1.5 GLAND OPENING
2	1	2019-31137-1	"O" RING (SILICONE 2" X 1/8" FOR LP & LP2) (06-230)
3	1	1035-20301-2	RING TERMINAL #10 (BA14E10)
4	1	1041-50242	SCREW M4-6 mm BUTTON HEAD
5	2	1035-20304-1	BUTT SPLICE FOR 14-16 AWG WIRE, CLEAR (YSE 14 HN)
6	2	3015-33835	SNAP RING STAINLESS STEEL FOR MCI50XP & T50 HEADLIGHT
7	1	1044-32805	BULB WARNING LABEL
8	2	1041-50209	SCREW M4-6 mm SOCKET FLAT HEAD
9	1	2010-31678-L4	LAMP HOLDER
10	1	2020-29729-1	SOCKET FOR MR-16 LAMP WITH CLIP
11	1	2021-29730-33	LAMP MR-16 50 WATT, 12 VOLT FLOOD (COVER GLASS)
12	1	3018-33571-3	STAR LAMP HOLDER
13	1	2013-35120-1A	SHORT ALUMINUM LENS RING ASSEMBLY FOR MCI50XP
14	1	1041-50208	SCREW M6-14 mm SOCKET HEAD CAP
15	2	1041-50210	SCREW M10-50 mm SOCKET HEAD CAP
16	2	1041-50211	WASHER M10 HELICAL SPRING LOCK
17	4	1041-50005	DRIVE SCREW #4 X 3/16
18	1	1044-31678-2	CERTIFICATION TAG
19	2	2022-32974	MOUNTING FOOT
20	2 ft.	1051-56537	SLEEVING FIBERGLASS



**www.minelightsystems.com
Mining Controls Inc. 304-252-6243**