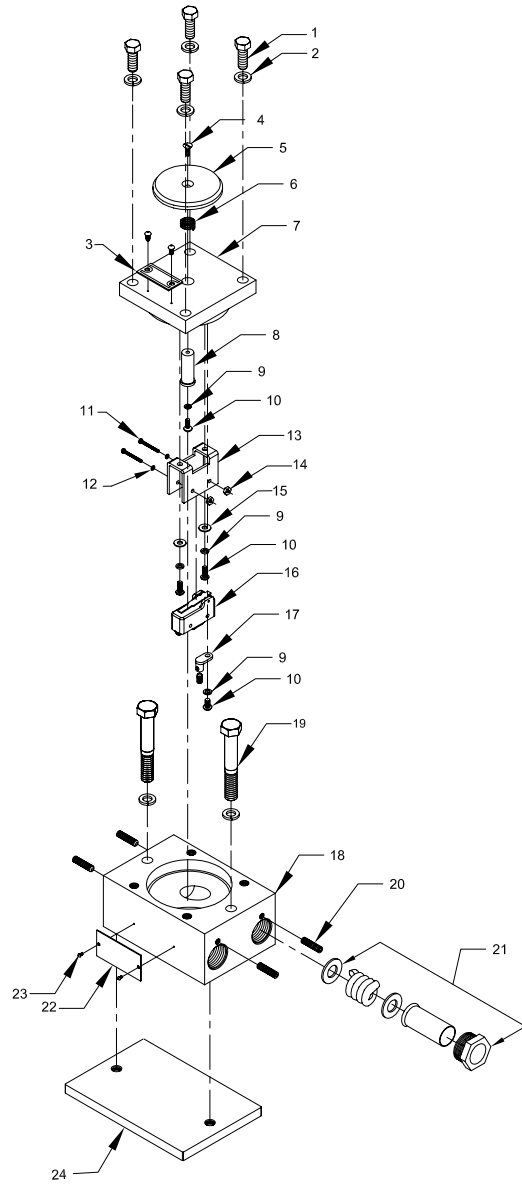
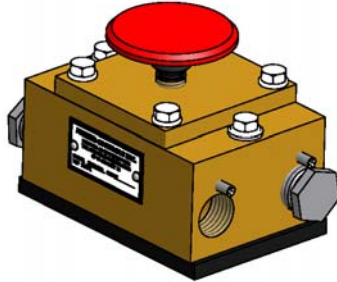




**Mine Lighting Systems
Mining Controls Inc.**
P.O. Box 1141
Beckley, WV 25873
304-252-6243

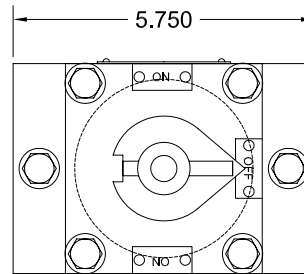
larry.rowley@elginindustries.com
www.minelinesystems.com



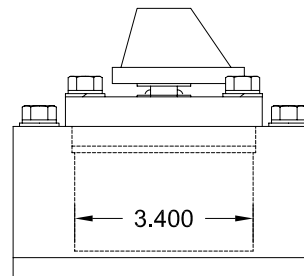
7015-20630-28

"E" Stop X/P Brass Enclosure

Item	Qty.	Part Number	Description
1	4	1041-50006-4	3/8"-16 x 1" Hex Bolt
2	6	1041-50008	3/8" Lock Washer
3	1	1044-20110-1	Stop Tag
4	1	1041-50105	10-24 x 1/2" Flat Head Screw
5	1	2010-20973	Palm Button
6	1	3016-21116	Spring
7	1	2010-20632-22	Brass Cover
8	1	5015-20113	Shaft For ("E" Button)
9	4	1041-50001	#10 Lock Washer
10	3	1041-50000-1	10-24 x 3/8" RD HD Screw
11	2	1041-50038	6-32 x 1/4" RD HD Screw
12	2	1041-50042	#6 Lock Washer
13	1	2022-33386-6	Switch Mounting Bracket
14	2	1041-50039	6-32 Nut
15	2	1041-50130	#10 Flat Washer
16	6	1022-33376	Micro Switch
17	1	1035-20281-3	Ground Lug
18	1	2010-20631-22	Brass Housing
19	2	1041-50006-9	3/8" - 16 X 3 Hex Bolt
20	4	1041-50020-3	1/4"-20 x 1" Set Screw
21	1	7015-20031-11	Packing Gland Assembly
22	1	1044-20011	Certification Tag
23	4	1041-50005	4x3/16" Drive Screw
24	1	2022-35417	Weld Plate For 20630



NOTE: SWITCH TERMINAL #1
MUST BE POSITION UNDER
OFF TAG LOCATION



ENCLOSURE WEIGHT 8 LBS.

SWITCH RATING &
ELECTRICAL INFORMATION

15 AMP - 120 VAC
10 AMP - 240 VAC
1 AMP - 600 VAC
10 AMP - 125 VDC
5 AMP - 250 VDC

