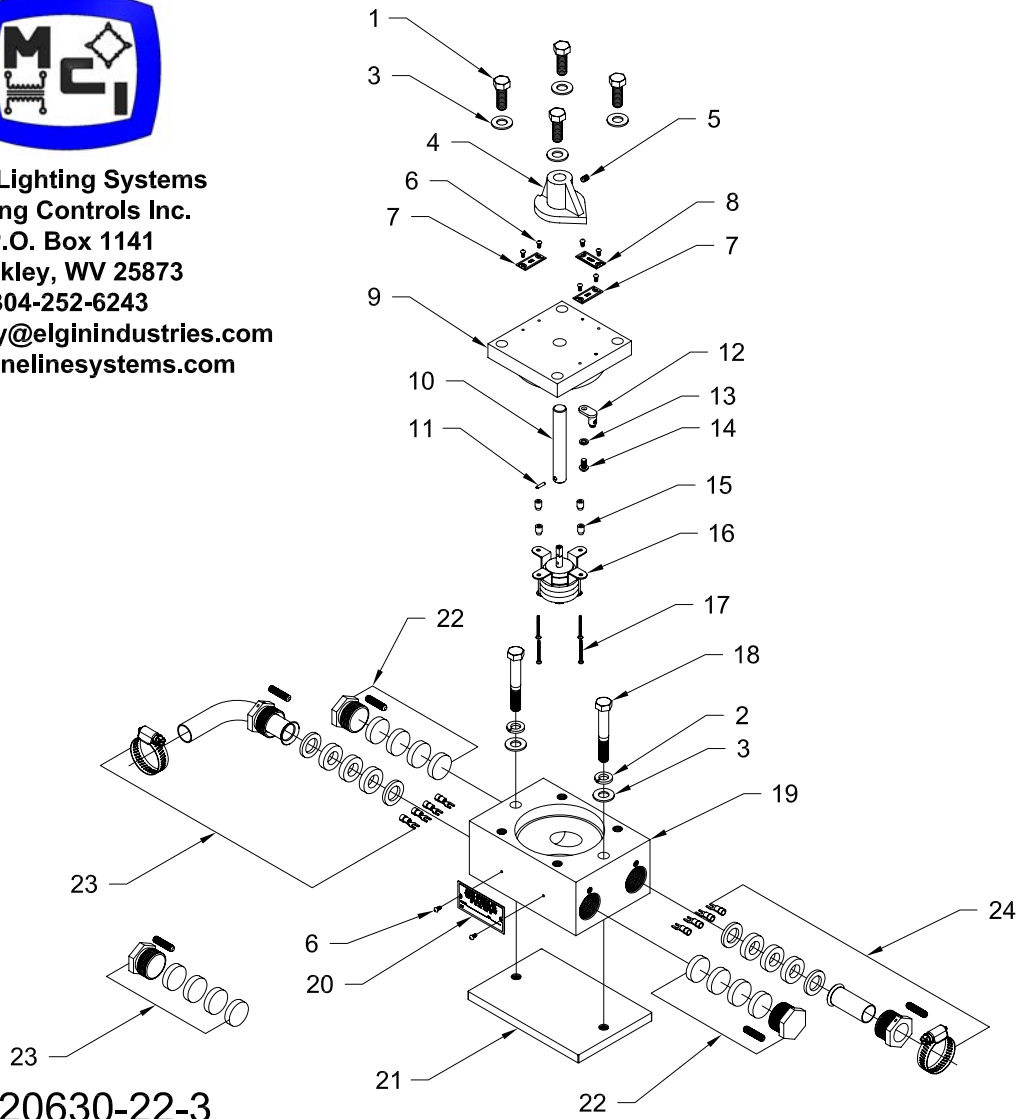




**Mine Lighting Systems
Mining Controls Inc.**
P.O. Box 1141
Beckley, WV 25873
304-252-6243

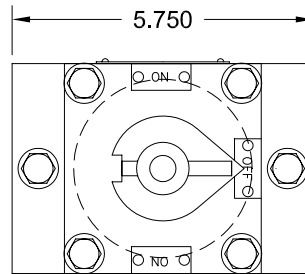
larry.rowley@elginindustries.com
www.minelinesystems.com



7015-20630-22-3

LIGHT SWITCH X/P BRASS ENCLOSURE

Item	Qty.	Part Number	Description
1	4	1041-50006-3	3/8 - 16 X 1 HEX BOLT
2	2	1041-50008	3/8" LOCK WASHER
3	6	1041-50007	3/8" FLAT WASHER
4	1	5015-24945	BRASS SWITCH KNOB
5	1	1041-50009	1/4 - 20 X 1/4" SET SCREW
6	8	1041-50005	DRIVE SCREW 4 X 3/16"
7	2	1044-33825-2	TAG ON BRASS
8	1	1044-33825-3	TAG OFF BRASS
9	1	2011-20632-22	BRASS COVER
10	1	5015-20229-12	SWITCH SHAFT
11	1	1041-55047	ROLL PIN 3/32 X 7/16
12	1	1035-20281-3	GROUND LUG
13	1	1041-50001	# 10 LOCK WASHER
14	1	1041-50000-15	# 10 - 24 X 3/8" RD. HD. SCREW
15	4	2010-33695	STANDOFF WITH SWAGE
16	1	1022-20446	SWITCH 3 POS.
17	4	1041-50272	# 6 - 32 PAN HEAD SCREW
18	2	1041-50006-9	3/8 - 16 X 3 HEX BOLT
19	1	2011-20631-22	BRASS HOUSING
20	1	1044-20011	TAG CERTIFICATION
21	1	2022-35417	WELD PLATE FOR 20630
22	1	2024-20057-1SA	STEEL PLUG ASSEMBLY
23	1	7017-20036-7G-055	PACKING GLAND ASSEMBLY
24	1	7017-20031-7G-055	PACKING GLAND ASSEMBLY



ENCLOSURE WEIGHT 8 LBS.

SWITCH RATING & ELECTRICAL INFORMATION

15 AMP - 120 VAC
10 AMP - 240 VAC
1 AMP - 600 VAC
10 AMP - 125 VDC
5 AMP - 250 VDC

