



Mine Lighting Systems

Mining Controls Inc.

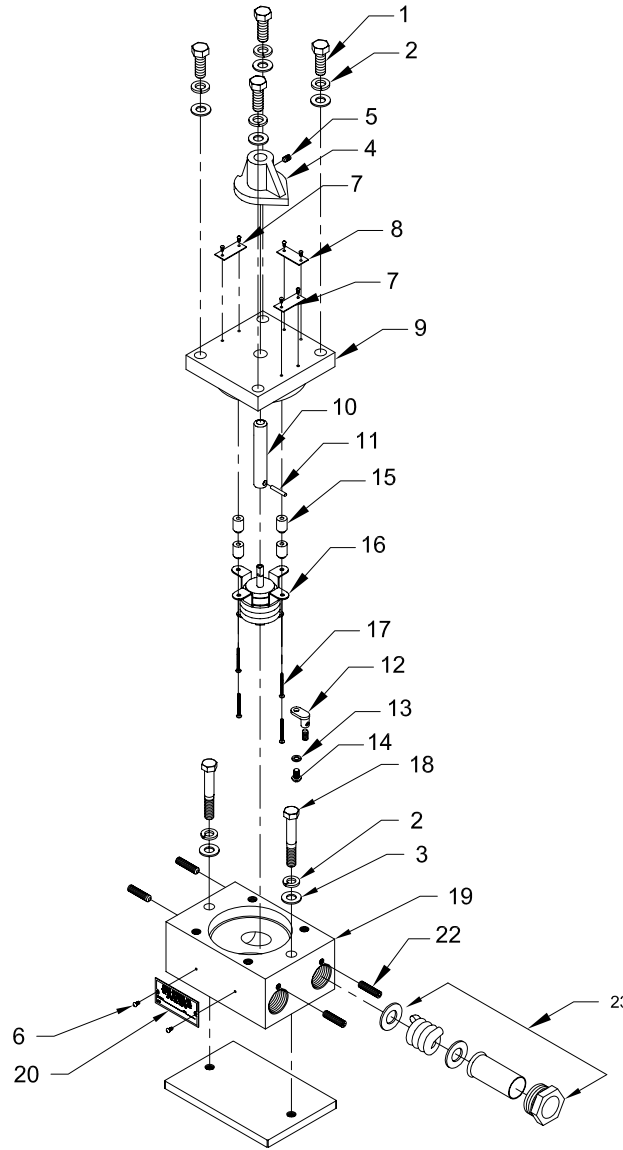
P.O. Box 1141

Beckley, WV 25873

304-252-6243

larry.rowley@elginindustries.com

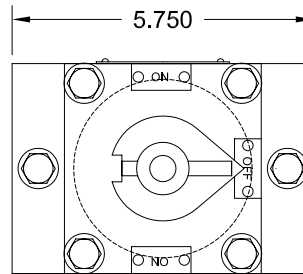
www.minelinesystems.com



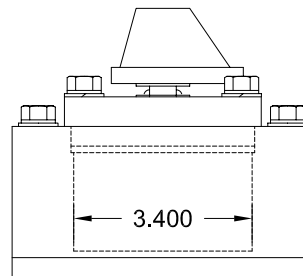
7015-20630-21

Light Switch X/P Alum. Enclosure

Item	Qty.	Part Number	Description
1	4	1041-50006	3/8" x 1" Bolt
2	2	1041-50008	3/8" Lock Washer
3	6	1041-50007	3/8" Flat Washer
4	1	2010-20448	Alum. Switch Knob
5	1	1041-50009	1/4 - 20 X 1/4" Set Screw
6	2	1041-50005	Drive Screw 4 X 3/16"
7	2	1044-20110-2	Tag On
8	1	1044-20110-3	Tag Off
9	1	2010-20632-21	Alum Cover
10	1	5015-20229-12	Switch Shaft
11	1	1041-55047	Roll Pin 3/32 X 7/16
12	1	1035-20281-3	Ground Lug
13	1	1041-50001	# 10 Lock Washer
14	1	1041-50000-15	# 10 - 24 X 3/8" RD. HD. Screw
15	4	2010-33695	Standoff With Swage
16	1	1022-20446	Switch 3 Pos.
17	4	1041-50272	# 6 - 32 Pan Head Screw
18	2	1041-50006-9	3/8 - 16 X 3 Hex Bolt
19	1	2010-20631-21	Alum housing
20	1	1044-20011	Tag Certification
21	1	2022-35417	Weld Plate For 20630
22	4	1041-20020-3	Set Screw 1/4"-20 x 1/4"
23	1	7015-20031-11	Packing Gland Assembly



NOTE: SWITCH TERMINAL #1
MUST BE POSITION UNDER
OFF TAG LOCATION



ENCLOSURE WEIGHT 8 LBS.

SWITCH RATING & ELECTRICAL INFORMATION

- 15 AMP - 120 VAC
- 10 AMP - 240 VAC
- 1 AMP - 600 VAC
- 10 AMP - 125 VDC
- 5 AMP - 250 VDC

