

- STEP 1. PRECUT CABLE (ITEM 5), 3/4" SHRINK TUBE (ITEM 4), #18-2 SJOOW CABLE AS SHOWN.
- STEP 2. SLIDE WEATHER SEAL (ITEM 3) TO THE #18-2 SJOOW CABLE (ITEM 4) AS SHOWN IN FIGURE A.
- STEP 3. CONNECT NON-INSULATED TERMINAL MALE (ITEM 2) TO THE #18-2 SJOOW CABLE (ITEM 4) AND WEATHER SEAL (ITEM 3) AS SHOWN IN FIGURE B.
- STEP 4. SLIDE NON-INSULATED TERMINAL MALE (ITEM 2) IN FEMALE CONNECTOR HOUSING (ITEM 1), TELL PINS ARE LOCKED IN PLACE.
- STEP 5. CLOSE FEMALE CONNECTOR HOUSING (ITEM 1) AND SLIDE 3/4" SHRINK TUBE (ITEM 5) OVER THE #18-2 SJOOW CABLE (ITEM 4) ONTO FEMALE CONNECTOR HOUSING (ITEM 1) AND HEAT SHRINK.

ITEM	QTY.	PART NUMBER	DESCRIPTION
1	1	1035-34095-1	FEMALE CONNECTOR HOUSING
2	2	1035-34095-4	NON-INSULATED TERMINAL MALE
3	2	1035-34095-3	WEATHER SEAL
4	SEE DIM (A)	6012-51220	# 18-2 SJOOW CABLE
5	2"	1035-34145	3/4" SHRINK TUBE
6	SEE DIM (A)	6012-51219-3	# 16-2 SJOOW CABLE

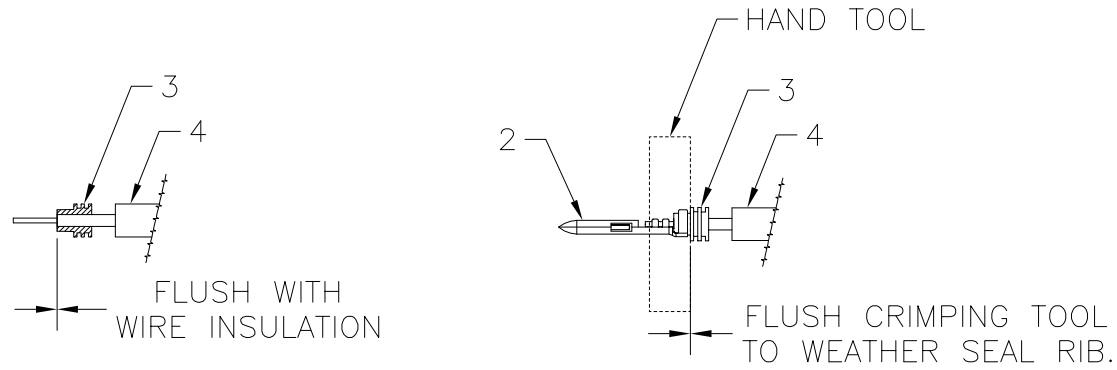
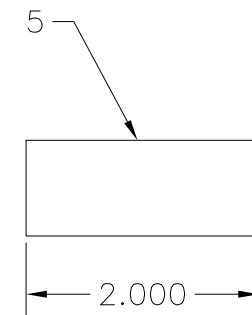
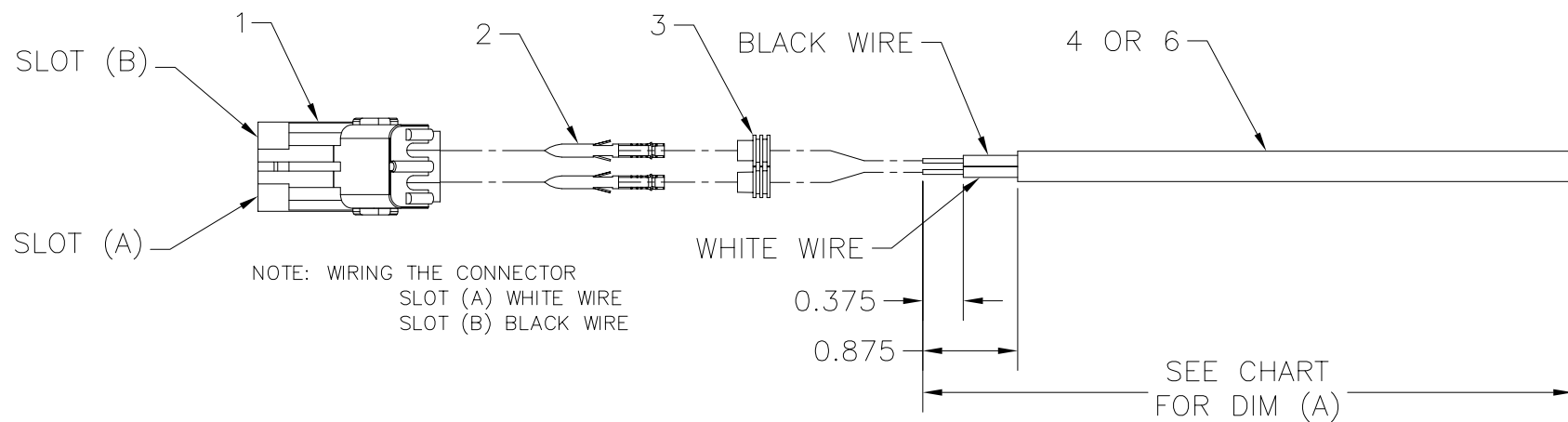
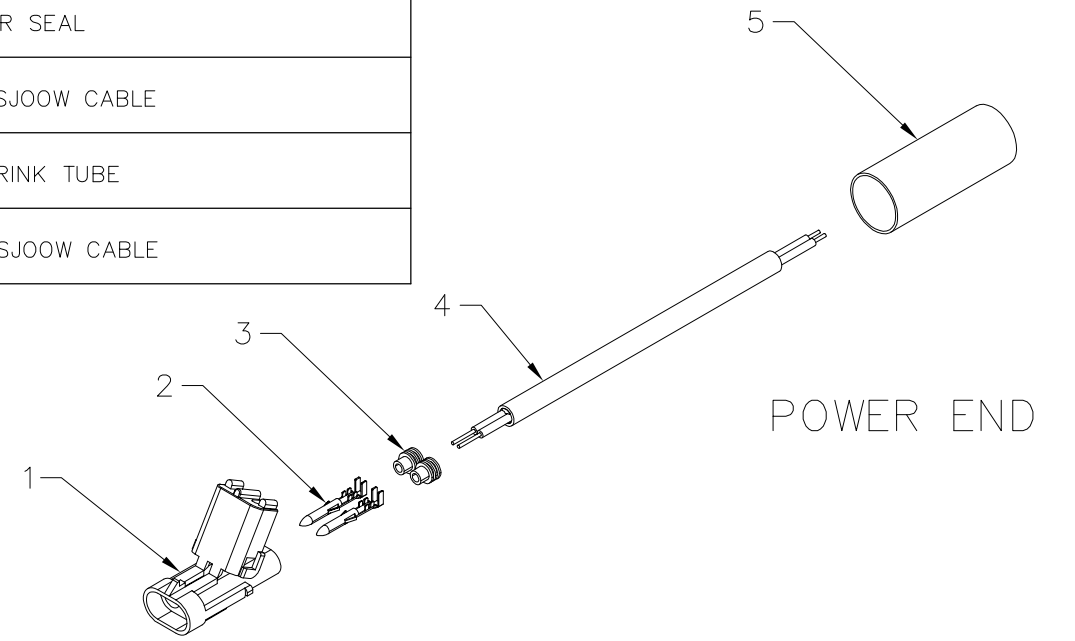


FIGURE A.


FIGURE B.



WIRE SIZE	PART NUMBER	DIM (A)
18 AWG	2023-35600-1	20 FT.
18 AWG	2023-35600-2	10 INCHES
18 AWG	2023-35600-3	6 INCHES
16 AWG	2023-35600-4	10 INCHES

**POWER END
POWER OUT**

REV.	DESCRIPTION	INITIAL	DATE

FIRST USED				 MINING CONTROLS INCORPORATED P. O. BOX 1141 BECKLEY, W.V. 25801
MATERIAL & FINISH				
SCALE 1=1	DATE DRAWN 6-26-08	DRAWN BY RAJ	CHECKED BY	TITLE WEATHER-PAK CABLE ASSEMBLY
ALL DIMENSIONS IN INCHES. TOLERANCES UNLESS OTHERWISE SPECIFIED:				DWG. NO. 2023-35600
DECIMALS .xxx = ± .005	.xx = ± .015	FRACTIONS = ± 1/32"	ANGLES = ± 1/2°	REV. C