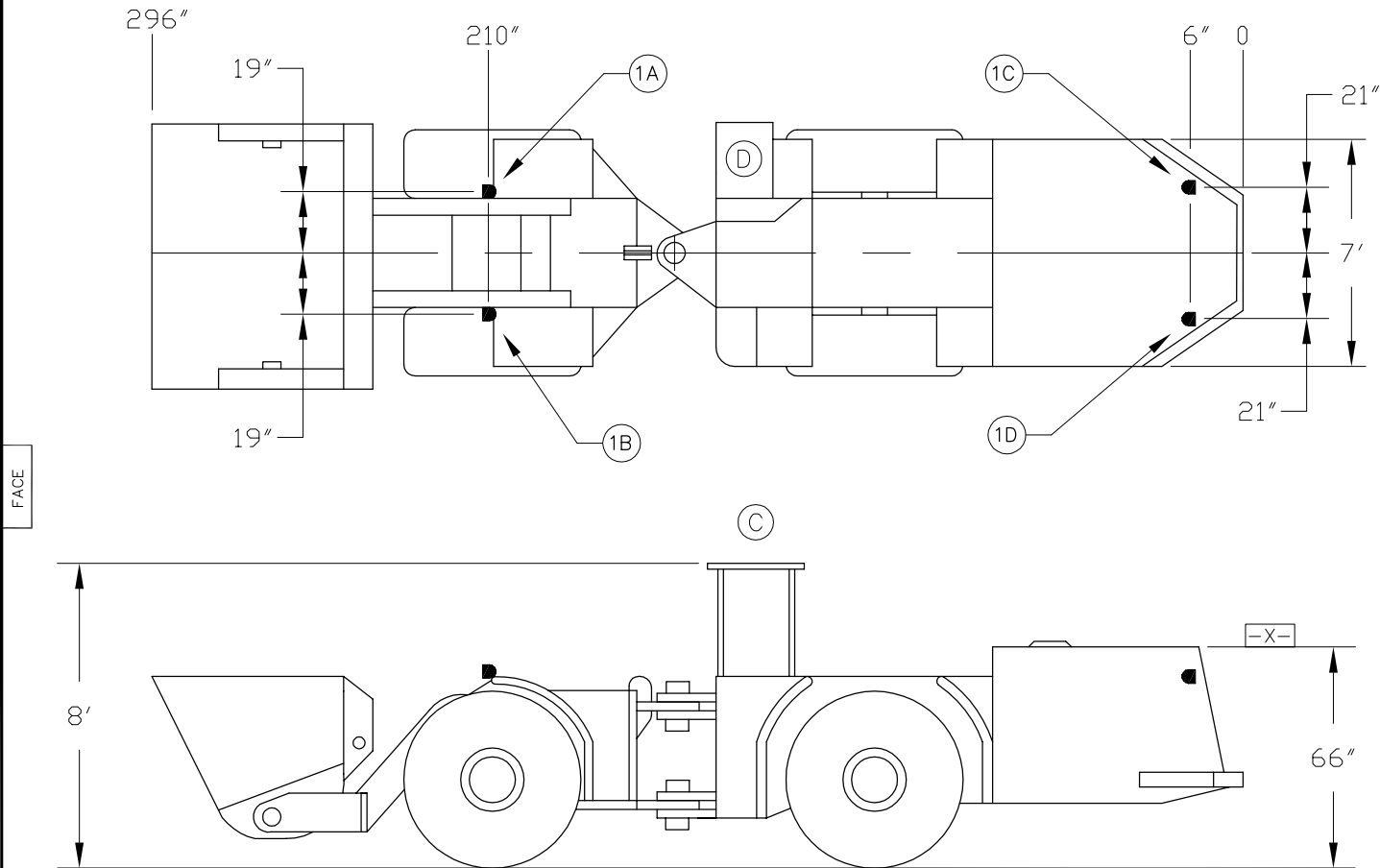
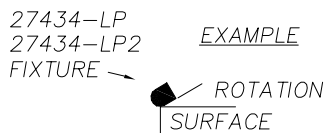


RIGHT RIB



MACH. MODEL	ST - 3.5S	STE APPROVAL NO.	5004919
--------------------	-----------	-------------------------	---------

DIMENSIONAL INFORMATION AND TERMS:
 ALL DIMENSIONS ARE TO THE CENTER OF THE FIXTURE, UNLESS THE FIXTURE IS MOUNTED TO A DIMENSIONED SURFACE.
 TF - FIXTURE ROTATION TO THE FACE
 LR - FIXTURE ROTATION TO THE LEFT RIB
 RR - FIXTURE ROTATION TO THE RIGHT RIB
 TB - FIXTURE ROTATION TO THE BACK
 UP - FIXTURE ROTATION TO THE ROOF



TOLERANCE:
 MACHINE MODEL VARIATIONS $\pm 6"$
 LIGHT PLACEMENT $\pm 3"$ LINEAR
 $\pm 5'$ ANGULAR
 VOLTAGE AT FIXTURE $\pm 5\%$ OF RATED BULB VOLTAGE.

HEAD LIGHT	AREA LIGHTS	
ITEM 1	ITEM 2	ITEM 3
30000 MCI50XP 20043	27434-LP	27434-LP2
PACKING GLAND LOCATION	PACKING GLAND LOCATION	PACKING GLAND LOCATION

- NOTES:
- ALL FIXTURES WITH THE EXCEPTION OF HEAD LIGHTS ARE EQUIPPED WITH STEEL GUARDS.
 - HEAD LIGHTS ARE PROTECTED BY 1/8" STEEL.
 - THIS STE SHOWS THE MINIMUM LIGHTS REQUIRED. ADDITIONAL LIGHTS CAN BE ADDED TO MEET CUSTOMERS NEEDS.
 - WHEN FROSTED GLOBES ARE USED CLEAR GLOBES ARE OPTIONAL.

D	OPERATOR STA.	REMOTE CONTROL OPTIONAL							
C	CANOPY	CANOPY OPTIONAL WHEN USING REMOTE CONTROL OR IN COAL LESS THAN 42"							
		3	27434-LP2	23 W. EL (Compact Fluor.)	3843-2	.730			
				20 W. EL (Compact Fluor.)	3843-2	.730			
				20 W. EL (Compact Fluor.)	3843-0,-1	.730			
		2	27434-LP	23 W. EL (Compact Fluor.)	3843-2	.730			
				20 W. EL (Compact Fluor.)	3843-2	.730			
				20 W. EL (Compact Fluor.)	3843-0,-1	.730			
1D	TF.			20043	150 W. PAR38/FL	2372-0	.710		
1C	TF.				75 W. MR16/CG	3938-1	.776		
1B	TB.				50 W. EXN/C	3938-0	.776		
1A	TB.				75 W. EYC/C	3493-2	.730		
					50 W. EXN/C	3493-2	.730		
					50 W. EXN	3493-0,-1	.730		
ITEM & LOCATION	GLOBE TYPE	GLAND LOCATION	GLOBE LOCATION	LIGHT LOCATION FROM SURFACE -X- DIM ABOVE (+) DIM BELOW (-)	ITEM	MODEL	BULB WATTS / TYPE	X/P NO.	MAX. CABLE RANGE

DO NOT CHANGE WITHOUT "MSHA" APPROVAL

ENTRY SIZE or MACHINE SIZE
8' X 8'

MACHINE MANUFACTURE
WAGNER

MACHINE TYPE
SCOOP

MINING CONTROLS INCORPORATED
P.O. BOX 1141 BECKLEY, WV 25802

LIGHT FIXTURE INFORMATION				DRAWN BY RAJ	DATE DRAWN 3-9-98	APPROVED BY	DRAWING NUMBER 920417	REV. C
----------------------------------	--	--	--	-----------------	----------------------	-------------	--------------------------	-----------