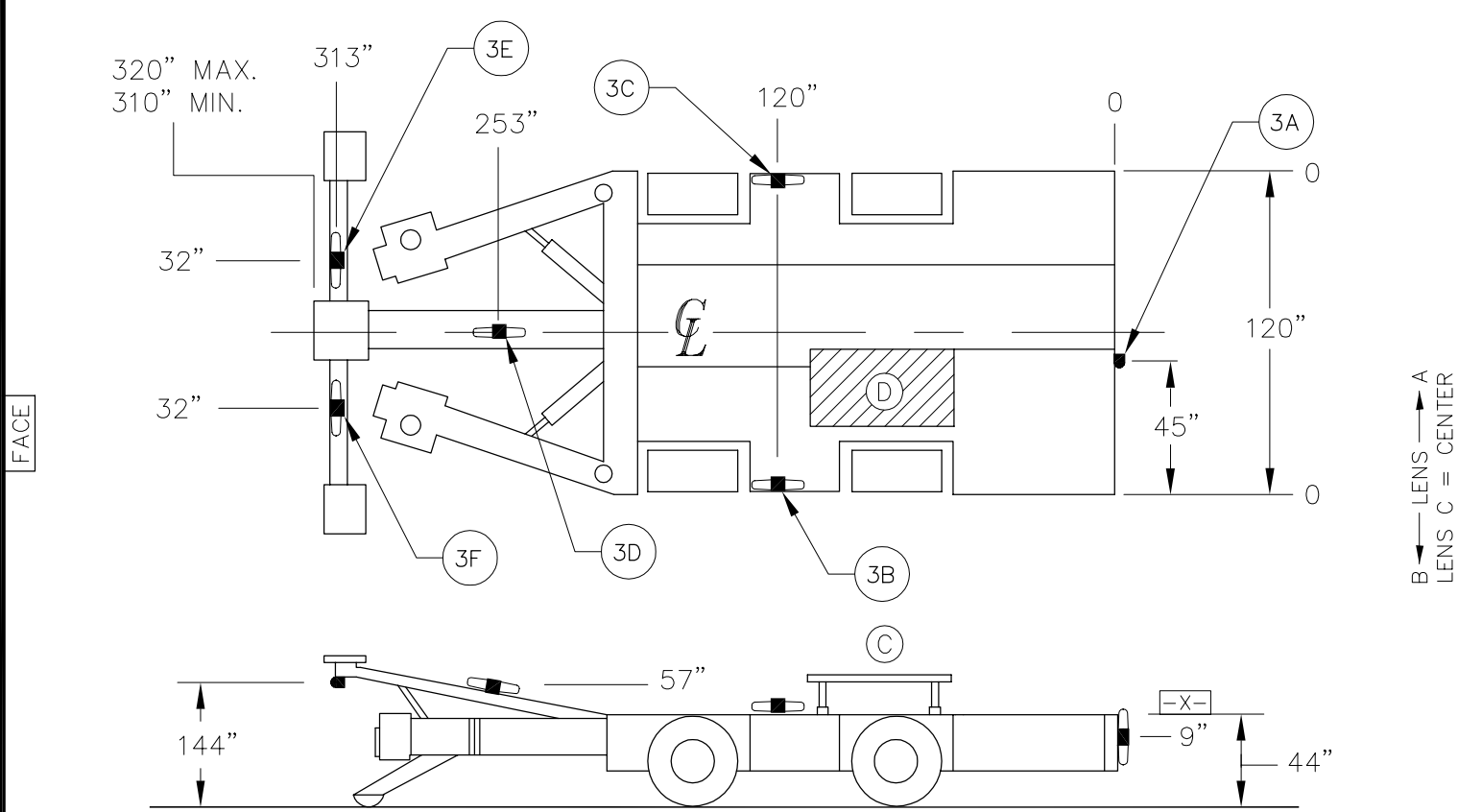


RIGHT RIB



A ← LENS → B
LENS C = CENTER

B ↓ LENS ↑ A
LENS C = CENTER

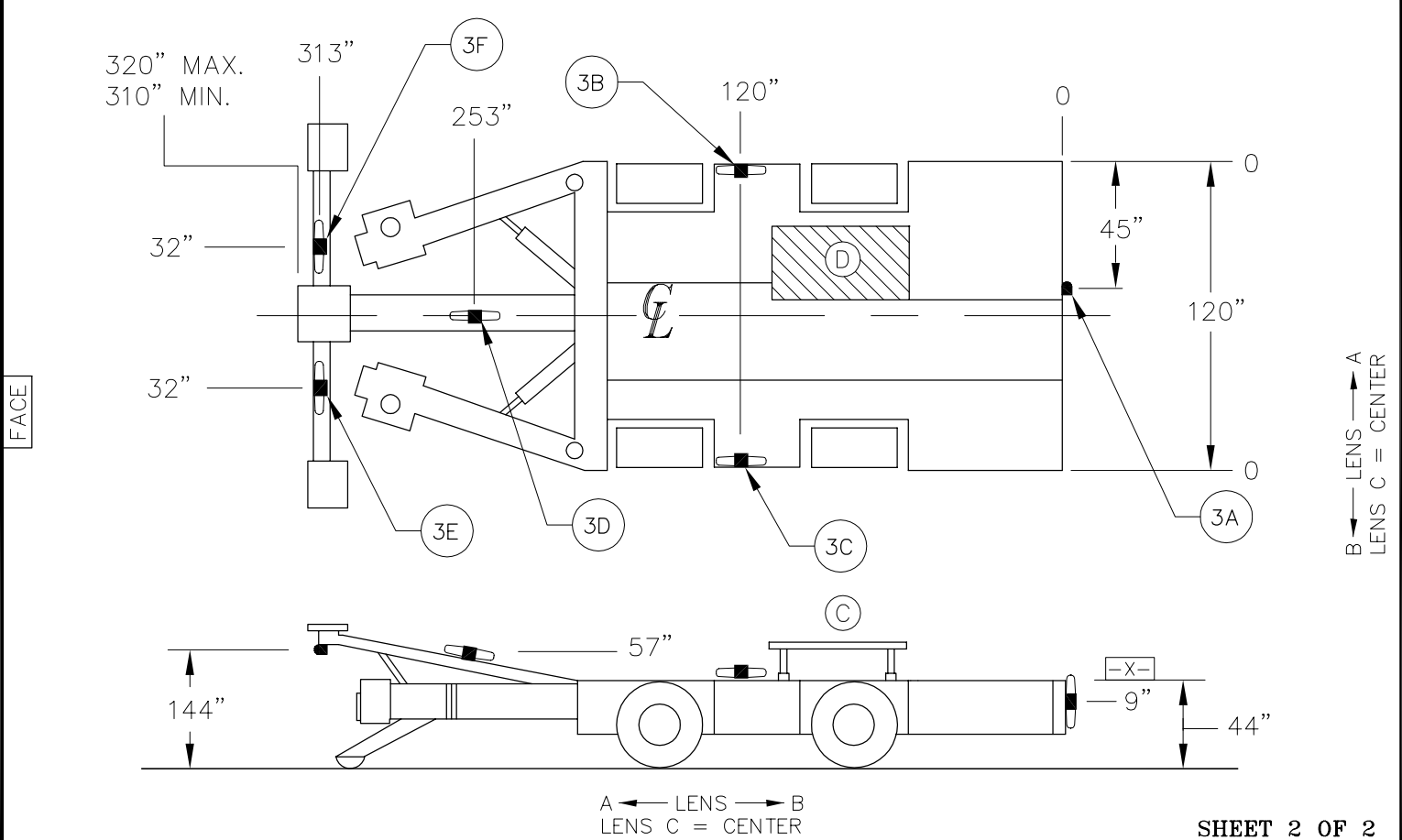
SHEET 1 OF 2

MACH. MODEL	ELECTRICAL SCHEMATIC AND ONE LINE DIAGRAM	STE APPROVAL NO.
HDDR	28575F-EL REV. J	5004905-0

<p><u>DIMENSIONAL INFORMATION AND TERMS:</u> ALL DIMENSIONS ARE TO THE CENTER OF THE FIXTURE, UNLESS THE FIXTURE IS MOUNTED TO A DIMENSIONED SURFACE. TF - FIXTURE ROTATION TO THE FACE LR - FIXTURE ROTATION TO THE LEFT RIB RR - FIXTURE ROTATION TO THE RIGHT RIB TB - FIXTURE ROTATION TO THE BACK UP - FIXTURE ROTATION TO THE ROOF</p> <p><u>NOTES:</u> 1. ALL FIXTURES WITH THE EXCEPTION OF HEAD LIGHTS ARE EQUIPPED WITH STEEL GUARDS. 2. HEAD LIGHTS ARE PROTECTED BY 1/8" STEEL. 3. THIS STE SHOWS THE MINIMUM LIGHTS REQUIRED. ADDITIONAL LIGHTS CAN BE ADDED TO MEET CUSTOMERS NEEDS. 4. WHEN FROSTED OR AMBER GLOBES ARE USED CLEAR GLOBES ARE OPTIONAL</p>	<p>27434-LP 27434-LP2 FIXTURE</p> <p>EXAMPLE ROTATION SURFACE</p>	HEAD LIGHT	AREA LIGHTS	
		ITEM 1	ITEM 2	ITEM 3
		30000 MCI50XP 20043	27434-LP	27434-LP2
VIEW TOP	VIEW TOP	VIEW TOP	VIEW TOP	VIEW TOP
SIDE	SIDE	SIDE	SIDE	SIDE
PACKING GLAND LOCATION	PACKING GLAND LOCATION	PACKING GLAND LOCATION	PACKING GLAND LOCATION	PACKING GLAND LOCATION

D	OPERATOR STA. REMOTE CONTROL OPTIONAL				<p>DO NOT CHANGE WITHOUT "MSHA" APPROVAL</p> <p>ENTRY SIZE OF MACHINE SIZE 12' X 20'</p> <p>MACHINE MANUFACTURE FLETCHER</p> <p>MACHINE TYPE BOLTER</p> <p> MINING CONTROLS INCORPORATED P.O. BOX 1141 BECKLEY, WV 25802</p>														
C	CANOPY CANOPY OPTIONAL WHEN USING REMOTE CONTROL OR IN COAL LESS THAN 42"																		
3F	23W.	CY	SEE DIM	TB	<p>TOLERANCE: MACHINE MODEL VARIATIONS ±6" LIGHT PLACEMENT ±3" LINEAR ±5" ANGULAR</p> <p>VOLTAGE AT FIXTURE ±5 % OF RATED BULB VOLTAGE.</p>														
	20W.	C																	
3E	23W.	CY	SEE DIM	TB	<table border="1"> <tr> <td>3</td> <td>27434-LP2</td> <td>23 W. Compact Fluor.</td> <td>3843-2-3</td> <td>.730</td> </tr> <tr> <td></td> <td></td> <td>20 W. Compact Fluor.</td> <td>3843-0 thru 3</td> <td>.730</td> </tr> </table>	3	27434-LP2	23 W. Compact Fluor.	3843-2-3	.730			20 W. Compact Fluor.	3843-0 thru 3	.730				
	3	27434-LP2	23 W. Compact Fluor.	3843-2-3		.730													
		20 W. Compact Fluor.	3843-0 thru 3	.730															
3D	23W.	CY	SEE DIM	RR	<table border="1"> <tr> <td>2</td> <td>27434-LP</td> <td>23 W. Compact Fluor.</td> <td>3843-2-3</td> <td>.730</td> </tr> <tr> <td></td> <td></td> <td>20 W. Compact Fluor.</td> <td>3843-0 thru 3</td> <td>.730</td> </tr> </table>	2	27434-LP	23 W. Compact Fluor.	3843-2-3	.730			20 W. Compact Fluor.	3843-0 thru 3	.730				
	2	27434-LP	23 W. Compact Fluor.	3843-2-3		.730													
		20 W. Compact Fluor.	3843-0 thru 3	.730															
3C	23W.	CY	0"	LR	<table border="1"> <tr> <td rowspan="2"></td> <td>20043</td> <td>150 W. PAR38/FL</td> <td>2372-0</td> <td>.710</td> </tr> <tr> <td>MCI50XP</td> <td>50 W. EXN/C</td> <td>3938-0</td> <td>.776</td> </tr> </table>		20043	150 W. PAR38/FL	2372-0	.710	MCI50XP	50 W. EXN/C	3938-0	.776					
		20043	150 W. PAR38/FL	2372-0			.710												
MCI50XP		50 W. EXN/C	3938-0	.776															
3B	23W.	CY	0"	RR	<table border="1"> <tr> <td rowspan="2">1</td> <td>30000</td> <td>75 W. EYC/C</td> <td>3493-2</td> <td>.730</td> </tr> <tr> <td></td> <td>50 W. EXN/C</td> <td>3493-2</td> <td>.730</td> </tr> <tr> <td></td> <td></td> <td>50 W. EXN</td> <td>3493-0 , -1</td> <td>.730</td> </tr> </table>	1	30000	75 W. EYC/C	3493-2	.730		50 W. EXN/C	3493-2	.730			50 W. EXN	3493-0 , -1	.730
	1	30000	75 W. EYC/C	3493-2			.730												
		50 W. EXN/C	3493-2	.730															
		50 W. EXN	3493-0 , -1	.730															
3A	23W.	CY	-9"	RR	<table border="1"> <tr> <td>ITEM</td> <td>MODEL</td> <td>BULB WATTS / TYPE</td> <td>X/P NO.</td> <td>MAX. CABLE RANGE</td> </tr> </table>	ITEM	MODEL	BULB WATTS / TYPE	X/P NO.	MAX. CABLE RANGE									
	ITEM	MODEL	BULB WATTS / TYPE	X/P NO.		MAX. CABLE RANGE													
20W.	C																		
ITEM & LOCATION	BULB WATTS	GLOBE TYPE C= CLEAR F= FROST Y= AMBER	LIGHT LOCATION FROM SURFACE -X- DIM ABOVE (+) DIM BELOW (-)	GLAND															
LIGHT FIXTURE INFORMATION					<p>DRAWN BY: RAJ</p> <p>DATE DRAWN: 3-17-97</p> <p>APPROVED BY:</p> <p>DRAWING NUMBER: 920206</p> <p>REV. C</p>														

RIGHT RIB



A ← LENS → B
LENS C = CENTER

SHEET 2 OF 2

MACH. MODEL	ELECTRICAL SCHEMATIC AND ONE LINE DIAGRAM	STE APPROVAL NO.
HDDR	28575F-EL REV. J	5004905-0

DIMENSIONAL INFORMATION AND TERMS:
 ALL DIMENSIONS ARE TO THE CENTER OF THE FIXTURE, UNLESS THE FIXTURE IS MOUNTED TO A DIMENSIONED SURFACE.
 TF - FIXTURE ROTATION TO THE FACE
 LR - FIXTURE ROTATION TO THE LEFT RIB
 RR - FIXTURE ROTATION TO THE RIGHT RIB
 TB - FIXTURE ROTATION TO THE BACK
 UP - FIXTURE ROTATION TO THE ROOF

27434-LP
 27434-LP2
 FIXTURE →

EXAMPLE
 ROTATION SURFACE

HEAD LIGHT	AREA LIGHTS	
ITEM 1	ITEM 2	ITEM 3
30000 MCI50XP 20043	27434-LP	27434-LP2
VIEW TOP SIDE	VIEW TOP SIDE	VIEW TOP SIDE
PACKING GLAND LOCATION	PACKING GLAND LOCATION	PACKING GLAND LOCATION

NOTES:

- ALL FIXTURES WITH THE EXCEPTION OF HEAD LIGHTS ARE EQUIPPED WITH STEEL GUARDS.
- HEAD LIGHTS ARE PROTECTED BY 1/8" STEEL.
- THIS STE SHOWS THE MINIMUM LIGHTS REQUIRED. ADDITIONAL LIGHTS CAN BE ADDED TO MEET CUSTOMERS NEEDS.
- WHEN FROSTED OR AMBER GLOBES ARE USED CLEAR GLOBES ARE OPTIONAL

D	OPERATOR STA. REMOTE CONTROL OPTIONAL			
C	CANOPY CANOPY OPTIONAL WHEN USING REMOTE CONTROL OR IN COAL LESS THAN 42"			
3F	23W.	CY	SEE DIM	TB
	20W.	C	SEE DIM	TB
3E	23W.	CY	SEE DIM	TB
	20W.	C	SEE DIM	TB
3D	23W.	CY	SEE DIM	LR
	20W.	C	SEE DIM	LR
3C	23W.	CY	0"	RR
	20W.	C	0"	RR
3B	23W.	CY	0"	LR
	20W.	C	0"	LR
3A	23W.	CY	-9"	LR
	20W.	C	-9"	LR
ITEM & LOCATION	BULB WATTS	GLOBE TYPE C= CLEAR F= FROST Y= AMBER	LIGHT LOCATION FROM SURFACE -X- DIM ABOVE (+) DIM BELOW (-)	GLAND

TOLERANCE: MACHINE MODEL VARIATIONS ±6"
 LIGHT PLACEMENT ±3" LINEAR
 ±5" ANGULAR

VOLTAGE AT FIXTURE ±5 % OF RATED BULB VOLTAGE.

3	27434-LP2	23 W. Compact Fluor.	3843-2-3	.730
		20 W. Compact Fluor.	3843-0 thru 3	.730
2	27434-LP	23 W. Compact Fluor.	3843-2-3	.730
		20 W. Compact Fluor.	3843-0 thru 3	.730
1	20043	150 W. PAR38/FL	2372-0	.710
	MCI50XP	50 W. EXN/C	3938-0	.776
	30000	75 W. EYC/C	3493-2	.730
		50 W. EXN/C	3493-2	.730
		50 W. EXN	3493-0 , -1	.730
ITEM	MODEL	BULB WATTS / TYPE	X/P NO.	MAX. CABLE RANGE

DO NOT CHANGE WITHOUT "MSHA" APPROVAL

ENTRY SIZE or MACHINE SIZE
 12' X 20'

MACHINE MANUFACTURE
 FLETCHER

MACHINE TYPE
 BOLTER

MINING CONTROLS INCORPORATED
 P.O. BOX 1141 BECKLEY, WV 25802

LIGHT FIXTURE INFORMATION		DRAWN BY RAJ	DATE DRAWN 3-17-97	APPROVED BY	DRAWING NUMBER 920206	REV. C
---------------------------	--	-----------------	-----------------------	-------------	--------------------------	-----------