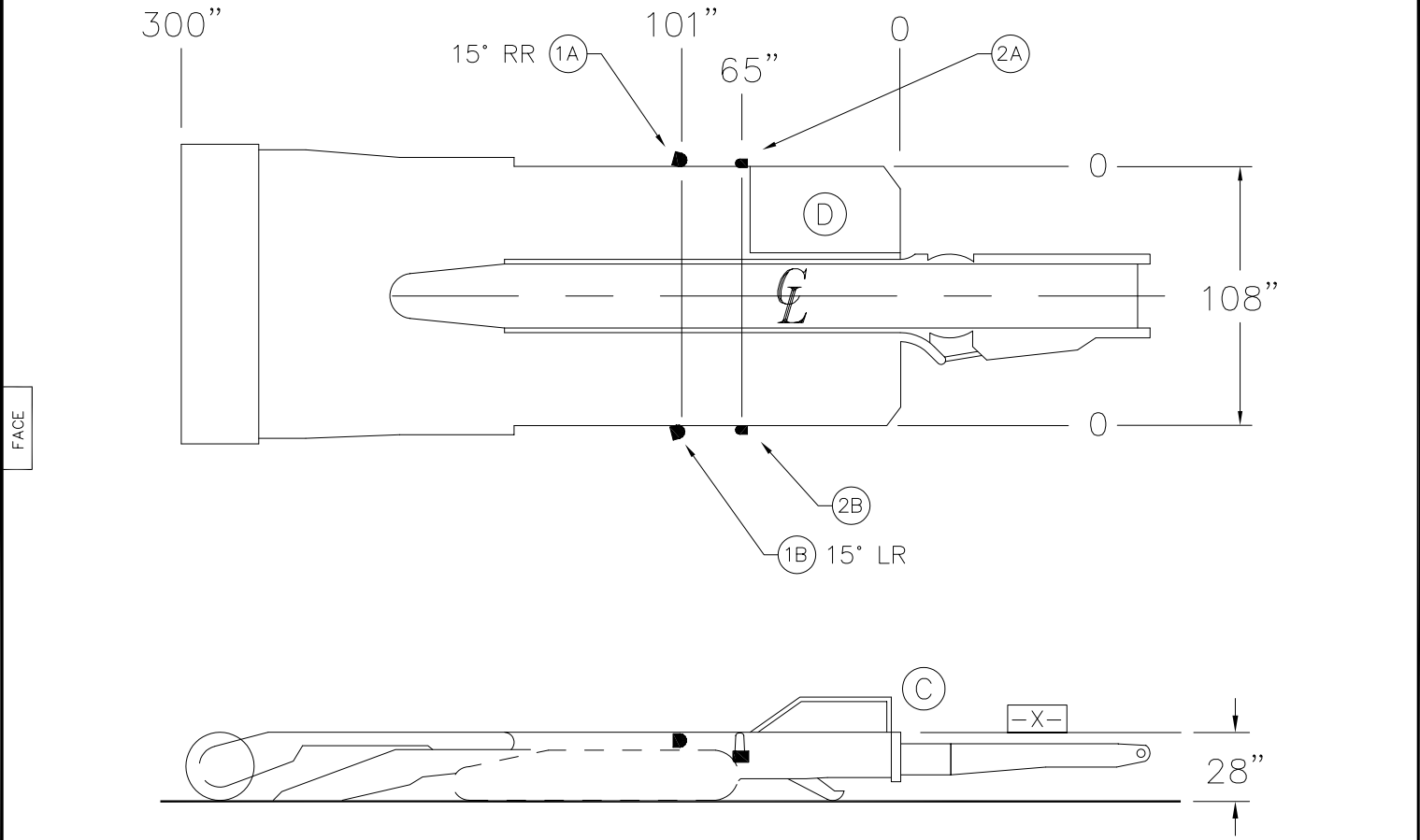


RIGHT RIB



MACH. MODEL	120 L	STE APPROVAL NO.	5004904
-------------	-------	------------------	---------

DIMENSIONAL INFORMATION AND TERMS:
 ALL DIMENSIONS ARE TO THE CENTER OF THE FIXTURE, UNLESS THE FIXTURE IS MOUNTED TO A DIMENSIONED SURFACE.
 TF - FIXTURE ROTATION TO THE FACE
 LR - FIXTURE ROTATION TO THE LEFT RIB
 RR - FIXTURE ROTATION TO THE RIGHT RIB
 TB - FIXTURE ROTATION TO THE BACK
 UP - FIXTURE ROTATION TO THE ROOF

EXAMPLE
 27434-LP
 27434-LP2
 FIXTURE → ROTATION SURFACE

TOLERANCE:
 MACHINE MODEL VARIATIONS ±6"
 LIGHT PLACEMENT ±3" LINEAR
 ±5° ANGULAR
 VOLTAGE AT FIXTURE ±5 % OF RATED BULB VOLTAGE.

HEAD LIGHT	AREA LIGHTS	
ITEM 1	ITEM 2	ITEM 3
30000 MCI50XP 20043	27434-LP	27434-LP2
 PACKING GLAND LOCATION	 GLOBE LOCATION	 GLOBE LOCATION
	 PACKING GLAND LOCATION	 PACKING GLAND LOCATION

NOTES:
 1. ALL FIXTURES WITH THE EXCEPTION OF HEAD LIGHTS ARE EQUIPPED WITH STEEL GUARDS.
 2. HEAD LIGHTS ARE PROTECTED BY 1/8" STEEL.
 3. THIS SHEET SHOWS THE MINIMUM LIGHTS REQUIRED. ADDITIONAL LIGHTS CAN BE ADDED TO MEET CUSTOMERS NEEDS.
 4. WHEN FROSTED GLOBES ARE USED CLEAR GLOBES ARE OPTIONAL.

D	OPERATOR STA.	REMOTE CONTROL OPTIONAL				DO NOT CHANGE WITHOUT "MSHA" APPROVAL ENTRY SIZE or MACHINE SIZE 42" X 20' MACHINE MANUFACTURE JEFFERY MACHINE TYPE MINER
C	CANOPY	CANOPY OPTIONAL WHEN USING REMOTE CONTROL OR IN COAL LESS THAN 42"				
				3	27434-LP2	23 W. EL (Compact Fluor.) 3843-2 .730 20 W. EL (Compact Fluor.) 3843-2 .730 20 W. EL (Compact Fluor.) 3843-0,-1 .730
				2	27434-LP	23 W. EL (Compact Fluor.) 3843-2 .730 20 W. EL (Compact Fluor.) 3843-2 .730 20 W. EL (Compact Fluor.) 3843-0,-1 .730
2B	CLEAR	TB	UP	-10"	1	20043 150 W. PAR38/FL 2372-0 .710 MCI50XP 50 W. EXN/C 3938-0 .776 75 W. EYC/C 3493-2 .730 30000 50 W. EXN/C 3493-2 .730 50 W. EXN 3493-0,-1 .730
2A	CLEAR	TB	UP	-10"		
1B		TB		-4"		
1A		TB		-4"		
ITEM & LOCATION	GLOBE TYPE	GLAND LOCATION	GLOBE LOCATION	LIGHT LOCATION FROM SURFACE -X- DIM ABOVE (+) DIM BELOW (-)		ITEM MODEL BULB WATTS / TYPE X/P NO. MAX. CABLE RANGE

LIGHT FIXTURE INFORMATION				DRAWN BY RAJ	DATE DRAWN 9-30-94	APPROVED BY	DRAWING NUMBER 920303	REV. B
---------------------------	--	--	--	-----------------	-----------------------	-------------	--------------------------	-----------