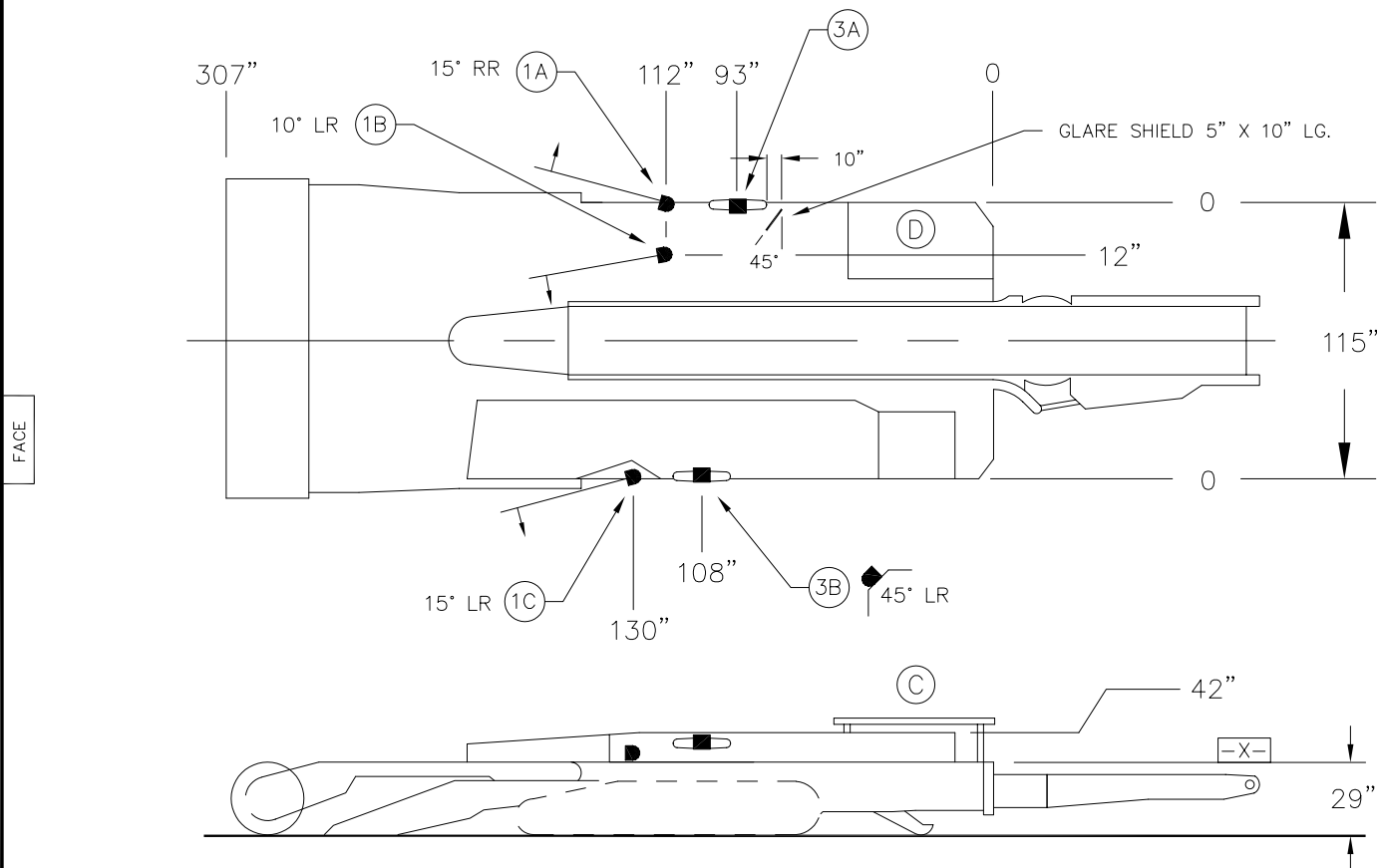


RIGHT RIB



MACH. MODEL	14 CM / SCR	STE APPROVAL NO.	5004880-01
-------------	-------------	------------------	------------

DIMENSIONAL INFORMATION AND TERMS:  
 ALL DIMENSIONS ARE TO THE CENTER OF THE FIXTURE, UNLESS THE FIXTURE IS MOUNTED TO A DIMENSIONED SURFACE.  
 TF - FIXTURE ROTATION TO THE FACE  
 LR - FIXTURE ROTATION TO THE LEFT RIB  
 RR - FIXTURE ROTATION TO THE RIGHT RIB  
 TB - FIXTURE ROTATION TO THE BACK  
 UP - FIXTURE ROTATION TO THE ROOF

27434-LP  
 27434-LP2  
 FIXTURE

EXAMPLE  
 ROTATION SURFACE

NOTES:  
 1. ALL FIXTURES WITH THE EXCEPTION OF HEAD LIGHTS ARE EQUIPPED WITH STEEL GUARDS.  
 2. HEAD LIGHTS ARE PROTECTED BY 1/8" STEEL.  
 3. THIS SITE SHOWS THE MINIMUM LIGHTS REQUIRED. ADDITIONAL LIGHTS CAN BE ADDED TO MEET CUSTOMERS NEEDS.  
 4. WHEN FROSTED GLOBES ARE USED CLEAR GLOBES ARE OPTIONAL.

TOLERANCE:  
 MACHINE MODEL VARIATIONS ±6"  
 LIGHT PLACEMENT ±3" LINEAR  
 ±5" ANGULAR  
 VOLTAGE AT FIXTURE ±5 % OF RATED BULB VOLTAGE.

HEAD LIGHT	AREA LIGHTS	
ITEM 1	ITEM 2	ITEM 3
30000 MCI50XP 20043	27434-LP	27434-LP2
 PACKING GLAND LOCATION	 GLOBE LOCATION  PACKING GLAND LOCATION	 GLOBE LOCATION  PACKING GLAND LOCATION

D	OPERATOR STA.	REMOTE CONTROL OPTIONAL		DO NOT CHANGE WITHOUT "MSHA" APPROVAL	
C	CANOPY	CANOPY OPTIONAL WHEN USING REMOTE CONTROL OR IN COAL LESS THAN 42"		ENTRY SIZE OF MACHINE SIZE	
				10' X 20'	
				MACHINE MANUFACTURE	JOY
				MACHINE TYPE	MINER
				Mining Controls Incorporated Logo	MINING CONTROLS INCORPORATED P.O. BOX 1141 BECKLEY, WV 25802

ITEM & LOCATION	GLOBE TYPE	GLAND LOCATION	GLOBE LOCATION	LIGHT LOCATION FROM SURFACE -X- DIM ABOVE (+) DIM BELOW (-)	ITEM	MODEL	BULB WATTS / TYPE	X/P NO.	MAX. CABLE RANGE
LIGHT FIXTURE INFORMATION					DRAWN BY	DATE DRAWN	APPROVED BY	DRAWING NUMBER	REV.
					RAJ	11-14-94		920101	C