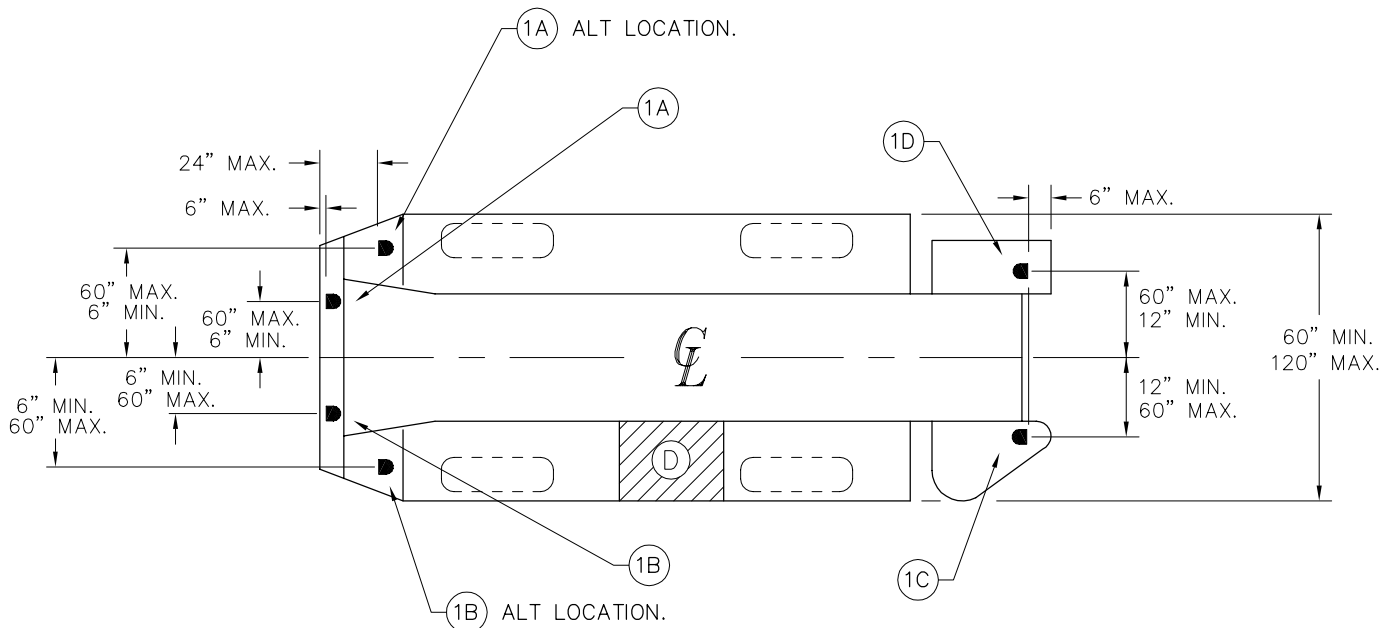
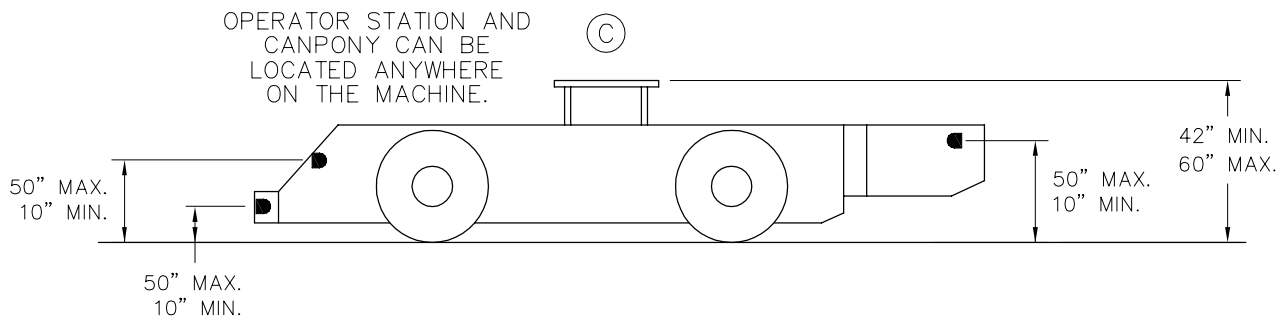


RIGHT RIB

FACE



OPERATOR STATION AND CANOPY CAN BE LOCATED ANYWHERE ON THE MACHINE.



MACH. MODEL

ELECTRICAL SCHEMATIC AND ONE LINE DIAGRAM

STE APPROVAL NO.

GENERIC

28575F-EL REV. J

5004781-0

NOTES:

- ALL FIXTURES WITH THE EXCEPTION OF HEAD LIGHTS ARE EQUIPPED WITH STEEL GUARDS.
- HEAD LIGHTS ARE PROTECTED BY 1/8" STEEL.
- THIS STE SHOWS THE MINIMUM LIGHTS REQUIRED. ADDITIONAL LIGHTS CAN BE ADDED TO MEET CUSTOMERS NEEDS.
- WHEN FROSTED GLOBES ARE USED CLEAR GLOBES ARE OPTIONAL.
- SELF PROPELLED EQUIPMENT EQUALS TO THE FOLLOWING SERVICE CAR, RAM CAR, BATTERY HAULER, COUL HAULER, SHIELD HAULER, UN-A-HAULER, DU-A-TRAC, SHIELD MOVER, SCOOP, 5TH WHEEL, SHUTTLE CAR, TRACTOR, MAN TRIP, MAINTENANCE VEHICLE AND COAL TRANSPORTER.

DIMENSIONAL INFORMATION AND TERMS:

ALL DIMENSIONS ARE TO THE CENTER OF THE FIXTURE, UNLESS THE FIXTURE IS MOUNTED TO A DIMENSIONED SURFACE.
 TF - FIXTURE ROTATION TO THE FACE
 LR - FIXTURE ROTATION TO THE LEFT RIB
 RR - FIXTURE ROTATION TO THE RIGHT RIB
 TB - FIXTURE ROTATION TO THE BACK
 UP - FIXTURE ROTATION TO THE ROOF
 DN - FIXTURE ROTATION TO THE FLOOR

TOLERANCE:

MACHINE MODEL VARIATIONS ±6"
 LIGHT PLACEMENT ±3" LINEAR
 ±5° ANGULAR
 VOLTAGE AT FIXTURE ±5 %
 OF RATED BULB VOLTAGE.

HEAD LIGHT

ITEM 1

30000
MCI50XP
20043



DO NOT CHANGE WITHOUT "MSHA" APPROVAL

ENTRY SIZE or MACHINE SIZE

5' X 10'

MACHINE MANUFACTURE

GENERIC

MACHINE TYPE

SELF PROPELLED EQUIPMENT SEE NOTE 5.



MINING CONTROLS INCORPORATED
 P.O. BOX 1141 BECKLEY, WV 25802

ITEM & LOCATION	GLAND LOCATION	LIGHT LOCATION	ITEM	MODEL	BULB WATTS / TYPE	X/P NO.	MAX. CABLE RANGE	
D	OPERATOR STA.	REMOTE CONTROL OPTIONAL	1	20043	150 W. PAR38/FL	2372-0	0.710	
C	CANOPY	CANOPY OPTIONAL WHEN USING REMOTE CONTROL OR IN COAL LESS THAN 42"			MCI50XP	75 W. MR16 EYC/CG	3938-0,-1	0.776
1D	TF.	SEE DIM				71 W. MR16 EYC/CG	3938-0,-1	0.776
1C	TF.	SEE DIM		30000	65 W. MR16 FPB/CG	3938-0,-1	0.776	
1B	TB.	SEE DIM			50 W. MR16 EXN/CG	3938-0,-1	0.776	
1A	TB.	SEE DIM			75 W. MR16 EYC/CG	3493-2	0.730	
				50 W. MR16 EXN/CG	3493-2	0.730		
				50 W. MR16 EXN	3493-0,-1	0.730		

LIGHT FIXTURE INFORMATION

DRAWN BY

RAJ

DATE DRAWN

6-27-06

APPROVED BY

DRAWING NUMBER

TE901201

REV.

D