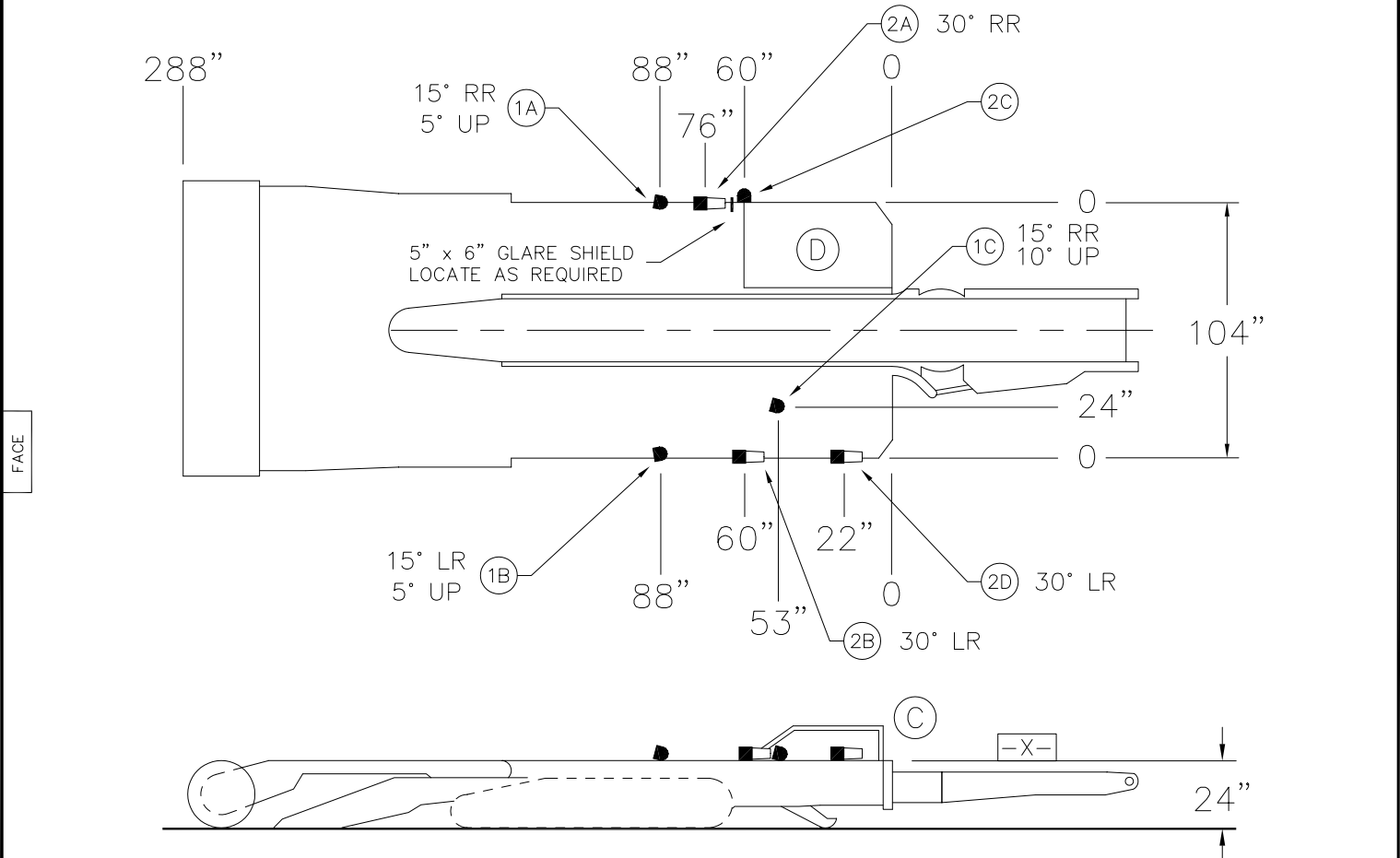


RIGHT RIB



MACH. MODEL	2480	STE APPROVAL NO.	5004746
-------------	------	------------------	---------

**DIMENSIONAL INFORMATION AND TERMS:**  
 ALL DIMENSIONS ARE TO THE CENTER OF THE FIXTURE, UNLESS THE FIXTURE IS MOUNTED TO A DIMENSIONED SURFACE.  
 TF - FIXTURE ROTATION TO THE FACE  
 LR - FIXTURE ROTATION TO THE LEFT RIB  
 RR - FIXTURE ROTATION TO THE RIGHT RIB  
 TB - FIXTURE ROTATION TO THE BACK  
 UP - FIXTURE ROTATION TO THE ROOF

**EXAMPLE**

27434 FIXTURE → ROTATION SURFACE

27434-LP  
27434-LP2  
FIXTURE → ROTATION SURFACE

**TOLERANCE:**  
 MACHINE MODEL VARIATIONS ±6"  
 LIGHT PLACEMENT ±3" LINEAR  
 ±5° ANGULAR  
 VOLTAGE AT FIXTURE ±5 %  
 OF RATED BULB VOLTAGE.

HEAD LIGHT	AREA LIGHTS		
ITEM 1	ITEM 2	ITEM 3	
30000 MCI50XP 20043	27434	27434-LP	27434-LP2
PACKING GLAND LOCATION	PACKING GLAND LOCATION	PACKING GLAND LOCATION	PACKING GLAND LOCATION

D	OPERATOR STA.	REMOTE CONTROL OPTIONAL			DO NOT CHANGE WITHOUT "MSHA" APPROVAL
C	CANOPY	CANOPY OPTIONAL WHEN USING REMOTE CONTROL OR IN COAL LESS THAN 42"			
					ENTRY SIZE or MACHINE SIZE 7' X 20'
2D	CLEAR	TF.	TB.	0"	MACHINE MANUFACTURE EIMCO
2C	CLEAR	DN.	UP.	-7"	
2B	CLEAR	TF.	TB.	0"	MACHINE TYPE MINER
2A	CLEAR	TF.	TB.	0"	
1C			TB.	0"	
1B			TB.	0"	MINING CONTROLS INCORPORATED P.O. BOX 1141 BECKLEY, WV 25802
1A			TB.	0"	
ITEM & LOCATION	GLOBE TYPE	GLAND LOCATION	GLOBE LOCATION	LIGHT LOCATION FROM SURFACE -X- DIM ABOVE (+) DIM BELOW (-)	

LIGHT FIXTURE INFORMATION		DRAWN BY RAJ	DATE DRAWN 2-26-96	APPROVED BY	DRAWING NUMBER TE900508	REV. B
---------------------------	--	-----------------	-----------------------	-------------	----------------------------	-----------