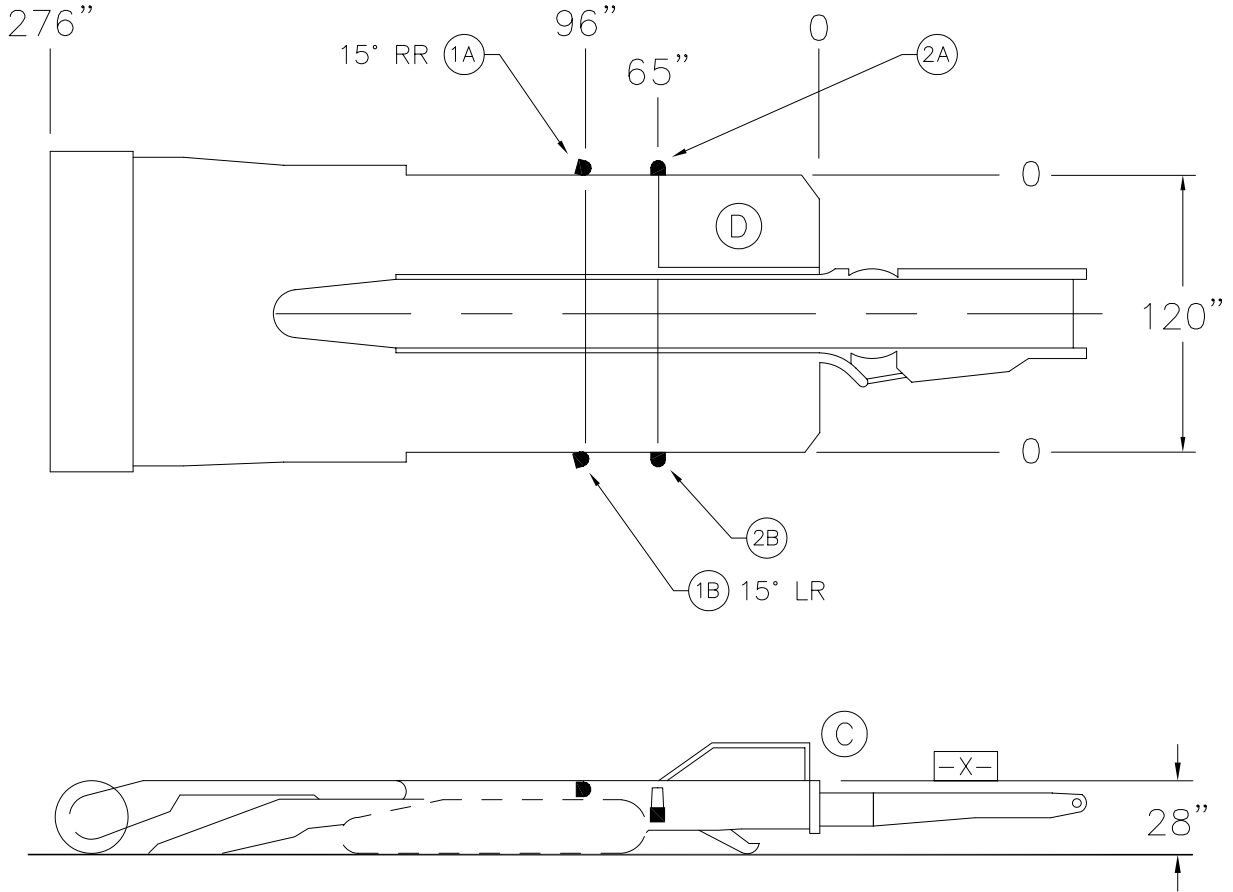


RIGHT RIB



MACH. MODEL

245

STE APPROVAL NO.

5004631-01

DIMENSIONAL INFORMATION AND TERMS:

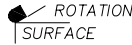
ALL DIMENSIONS ARE TO THE CENTER OF THE FIXTURE, UNLESS THE FIXTURE IS MOUNTED TO A DIMENSIONED SURFACE.
 TF - FIXTURE ROTATION TO THE FACE
 LR - FIXTURE ROTATION TO THE LEFT RIB
 RR - FIXTURE ROTATION TO THE RIGHT RIB
 TB - FIXTURE ROTATION TO THE BACK
 UP - FIXTURE ROTATION TO THE ROOF

EXAMPLE

27434 FIXTURE



27434-LP
27434-LP2
FIXTURE



TOLERANCE:

MACHINE MODEL VARIATIONS ±6"
 LIGHT PLACEMENT ±3" LINEAR
 ±5° ANGULAR
 VOLTAGE AT FIXTURE ±5 %
 OF RATED BULB VOLTAGE.

NOTES:

- ALL FIXTURES WITH THE EXCEPTION OF HEAD LIGHTS ARE EQUIPPED WITH STEEL GUARDS.
- HEAD LIGHTS ARE PROTECTED BY 1/8" STEEL.
- THIS SITE SHOWS THE MINIMUM LIGHTS REQUIRED. ADDITIONAL LIGHTS CAN BE ADDED TO MEET CUSTOMERS NEEDS.
- WHEN FROSTED GLOBES ARE USED CLEAR GLOBES ARE OPTIONAL.

HEAD LIGHT

ITEM 1
30000 MCI50XP 20043
PACKING GLAND LOCATION

AREA LIGHTS

ITEM 2	ITEM 3
27434	27434-LP
PACKING GLAND LOCATION	PACKING GLAND LOCATION

D	OPERATOR STA.	REMOTE CONTROL OPTIONAL		
C	CANOPY	CANOPY OPTIONAL WHEN USING REMOTE CONTROL OR IN COAL LESS THAN 42"		
		3	27434-LP2	23 W. EL (Compact Fluor.) 3843-2 .730 20 W. EL (Compact Fluor.) 3843-2 .730 20 W. EL (Compact Fluor.) 3843-0 ,-1 .730
		2	27434-LP	23 W. EL (Compact Fluor.) 3843-2 .730 20 W. EL (Compact Fluor.) 3843-2 .730 20 W. EL (Compact Fluor.) 3843-0 ,-1 .730
2B	CLEAR	TB	UP	-10"
2A	CLEAR	TB	UP	-10"
1A		TB		-4"
1A		TB		-4"
ITEM & LOCATION	GLOBE TYPE	GLAND LOCATION	GLOBE LOCATION	LIGHT LOCATION FROM SURFACE -X- DIM ABOVE (+) DIM BELOW (-)
ITEM	MODEL	BULB WATTS / TYPE		X/P NO.
				MAX. CABLE RANGE

DO NOT CHANGE WITHOUT "MSHA" APPROVAL

ENTRY SIZE or MACHINE SIZE
40" X 20'

MACHINE MANUFACTURE
S/R LEE NORIS

MACHINE TYPE
MINER

MINING CONTROLS INCORPORATED
P.O. BOX 1141 BECKLEY, WV 25802

LIGHT FIXTURE INFORMATION

DRAWN BY

RAJ

DATE DRAWN

11-23-94

APPROVED BY

DRAWING NUMBER

920302

REV.

B