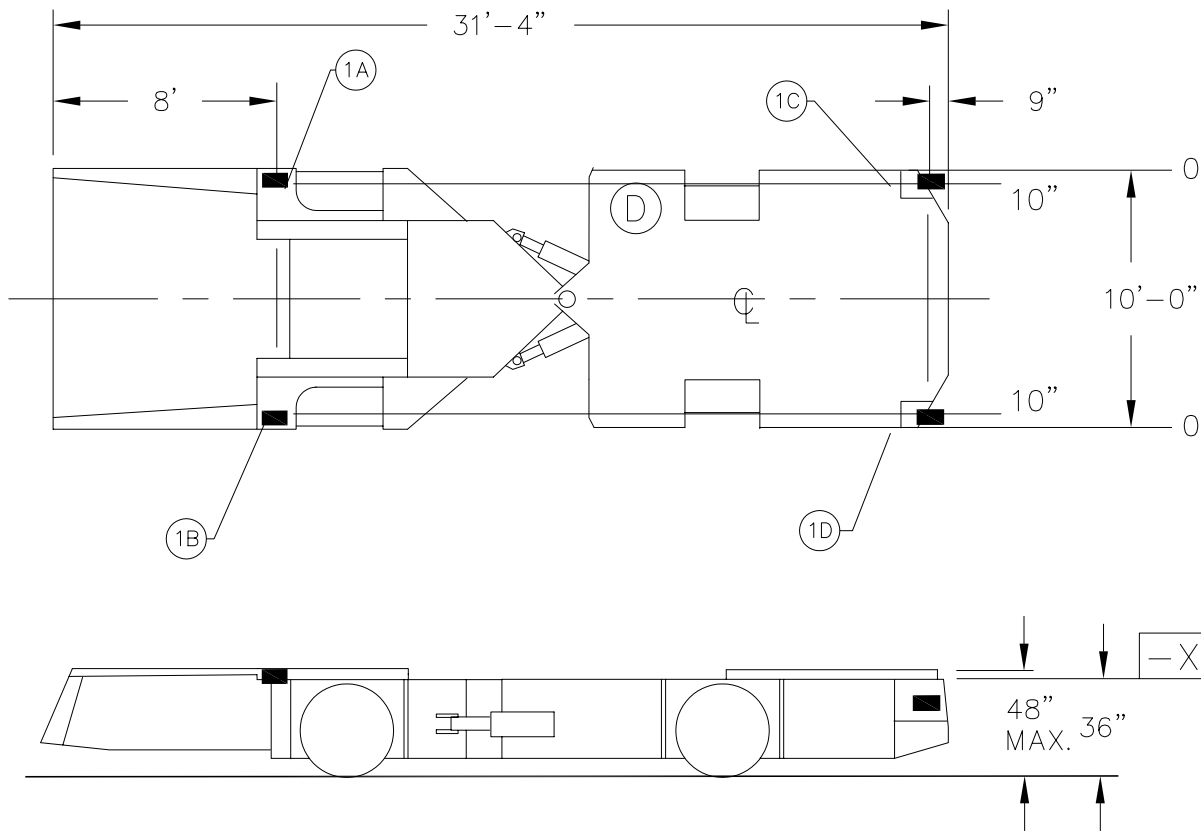


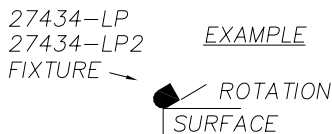
RIGHT RIB



MACH. MODEL	820	STE APPROVAL NO.	5004601
-------------	-----	------------------	---------

DIMENSIONAL INFORMATION AND TERMS:

ALL DIMENSIONS ARE TO THE CENTER OF THE FIXTURE, UNLESS THE FIXTURE IS MOUNTED TO A DIMENSIONED SURFACE.
 TF - FIXTURE ROTATION TO THE FACE
 LR - FIXTURE ROTATION TO THE LEFT RIB
 RR - FIXTURE ROTATION TO THE RIGHT RIB
 TB - FIXTURE ROTATION TO THE BACK
 UP - FIXTURE ROTATION TO THE ROOF



TOLERANCE:
 MACHINE MODEL VARIATIONS ±6"
 LIGHT PLACEMENT ±3" LINEAR
 ±5" ANGULAR
 VOLTAGE AT FIXTURE ±5 %
 OF RATED BULB VOLTAGE.

NOTES:

- ALL FIXTURES WITH THE EXCEPTION OF HEAD LIGHTS ARE EQUIPPED WITH STEEL GUARDS.
- HEAD LIGHTS ARE PROTECTED BY 1/8" STEEL.
- THIS SHEET SHOWS THE MINIMUM LIGHTS REQUIRED. ADDITIONAL LIGHTS CAN BE ADDED TO MEET CUSTOMERS NEEDS.
- WHEN FROSTED GLOBES ARE USED CLEAR GLOBES ARE OPTIONAL.

HEAD LIGHT	AREA LIGHTS	
ITEM 1	ITEM 2	ITEM 3
30000 MCI50XP 20043	27434-LP	27434-LP2
PACKING GLAND LOCATION	PACKING GLAND LOCATION	PACKING GLAND LOCATION

D		OPERATOR STA.		REMOTE CONTROL OPTIONAL		DO NOT CHANGE WITHOUT "MSHA" APPROVAL				
C		CANOPY		CANOPY OPTIONAL WHEN USING REMOTE CONTROL OR IN COAL LESS THAN 42"						
				3	27434-LP2	23 W. EL (Compact Fluor.)	3843-2	.730		
						20 W. EL (Compact Fluor.)	3843-2	.730		
						20 W. EL (Compact Fluor.)	3843-0,-1	.730		
				2	27434-LP	23 W. EL (Compact Fluor.)	3843-2	.730		
						20 W. EL (Compact Fluor.)	3843-2	.730		
						20 W. EL (Compact Fluor.)	3843-0,-1	.730		
1D		TF.				20043	150 W. PAR38/FL	2372-0	.710	
1C		TF.				MCI50XP	75 W. MR16/CG	3938-1	.776	
1B		TB.					50 W. EXN/C	3938-0	.776	
1A		TB.				30000	75 W. EYC/C	3493-2	.730	
							50 W. EXN/C	3493-2	.730	
							50 W. EXN	3493-0,-1	.730	
ITEM & LOCATION	GLOBE TYPE	GLAND LOCATION	GLOBE LOCATION	LIGHT LOCATION FROM SURFACE -X- DIM ABOVE (+) DIM BELOW (-)		ITEM	MODEL	BULB WATTS / TYPE	X/P NO.	MAX. CABLE RANGE
LIGHT FIXTURE INFORMATION						DRAWN BY	DATE DRAWN	APPROVED BY	DRAWING NUMBER	REV.
						RAJ	2-18-98		8908101	C