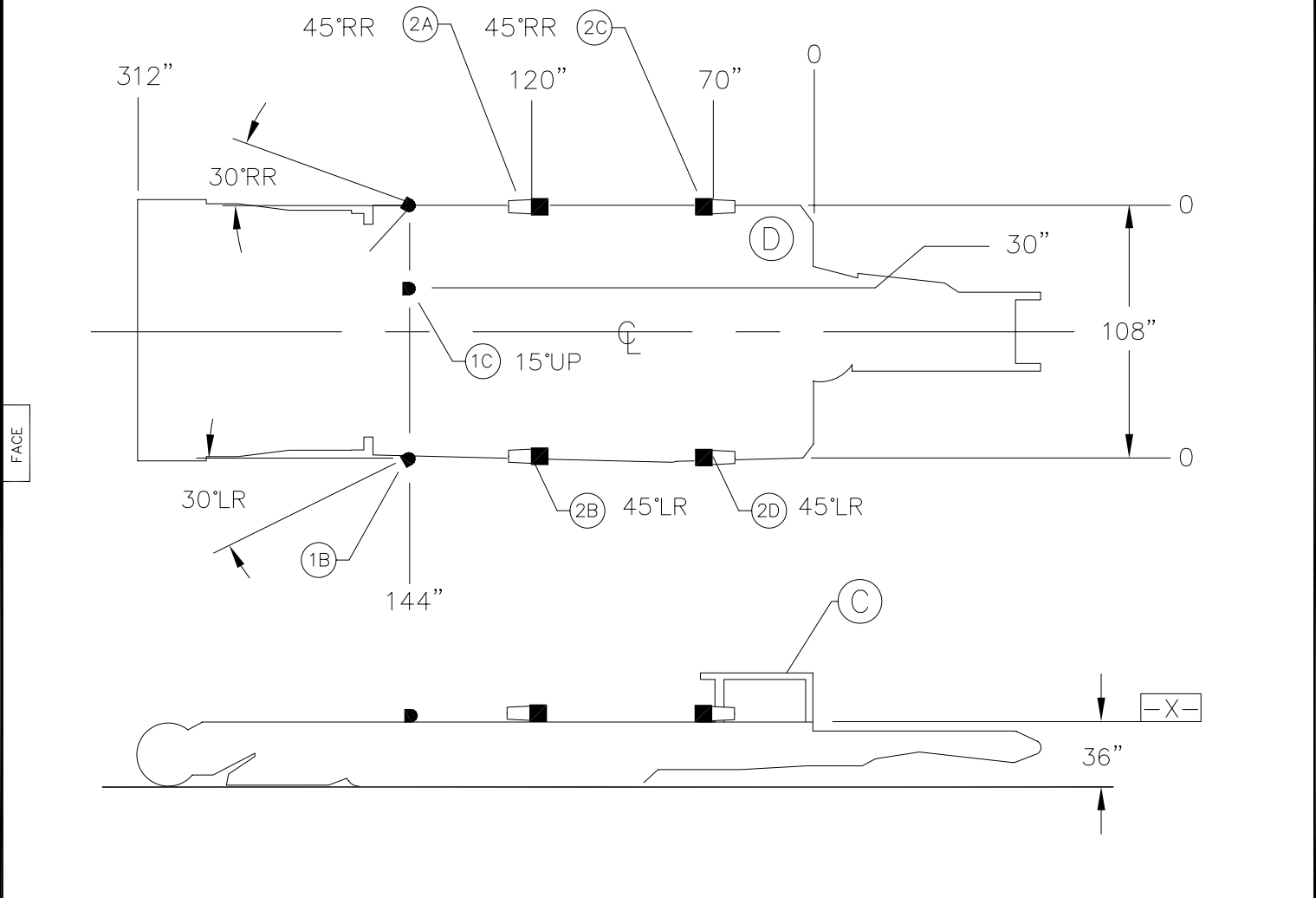


RIGHT RIB



MACH. MODEL	12 CM 3	STE APPROVAL NO.	5004584-01
-------------	---------	------------------	------------

**DIMENSIONAL INFORMATION AND TERMS:**  
 ALL DIMENSIONS ARE TO THE CENTER OF THE FIXTURE, UNLESS THE FIXTURE IS MOUNTED TO A DIMENSIONED SURFACE.  
 TF - FIXTURE ROTATION TO THE FACE  
 LR - FIXTURE ROTATION TO THE LEFT RIB  
 RR - FIXTURE ROTATION TO THE RIGHT RIB  
 TB - FIXTURE ROTATION TO THE BACK  
 UP - FIXTURE ROTATION TO THE ROOF

**EXAMPLE**

27434 FIXTURE → ROTATION SURFACE

27434-LP 27434-LP2 FIXTURE → ROTATION SURFACE

**TOLERANCE:**  
 MACHINE MODEL VARIATIONS ±6"  
 LIGHT PLACEMENT ±3" LINEAR ±5° ANGULAR  
 VOLTAGE AT FIXTURE ±5% OF RATED BULB VOLTAGE.

HEAD LIGHT	AREA LIGHTS		
	ITEM 1	ITEM 2	ITEM 3
30000 MCI50XP 20043	27434	27434-LP	27434-LP2
PACKING GLAND LOCATION	PACKING GLAND LOCATION	PACKING GLAND LOCATION	PACKING GLAND LOCATION

D OPERATOR STA.				REMOTE CONTROL OPTIONAL				<b>DO NOT CHANGE WITHOUT "MSHA" APPROVAL</b>		
C CANOPY				CANOPY OPTIONAL WHEN USING REMOTE CONTROL OR IN COAL LESS THAN 42"						
				3	27434-LP2	23 W. EL (Compact Fluor.)	3843-2	.730		
						20 W. EL (Compact Fluor.)	3843-0,-1,-2	.730		
2D	CLEAR	TF	TB	0"	2	27434-LP	23 W. EL (Compact Fluor.)	3843-2	.730	
2C	CLEAR	TF	TB	0"		27434-LP	20 W. EL (Compact Fluor.)	3843-0,-1,-2	.730	
2B	CLEAR	TB	TF	0"	2	27434	15 W. EL (Compact Fluor.)	3586-0	.730	
2A	CLEAR	TB	TF	0"		27434	15 W. EL (Compact Fluor.)	3586-0	.730	
1C				0"	1	20043	150 W. PAR 38/FL	2372-0	.710	
1B				0"		MCI50XP	50 W. EXN/C	3938-0	.776	
				0"		MCI50XP	75 W. EYC/C	3493-2	.730	
1A				0"		30000	50 W. EXN/C	3493-2	.730	
				0"	30000	50 W. EXN	3493-0,-1	.730		
ITEM & LOCATION	GLOBE TYPE	GLAND LOCATION	GLOBE LOCATION	LIGHT LOCATION FROM SURFACE -X- DIM ABOVE (+) DIM BELOW (-)		ITEM	MODEL	BULB WATTS / TYPE	X/P NO.	MAX. CABLE RANGE

LIGHT FIXTURE INFORMATION				DRAWN BY	DATE DRAWN	APPROVED BY	DRAWING NUMBER	REV.
				RAJ	11-31-94		8907131	C