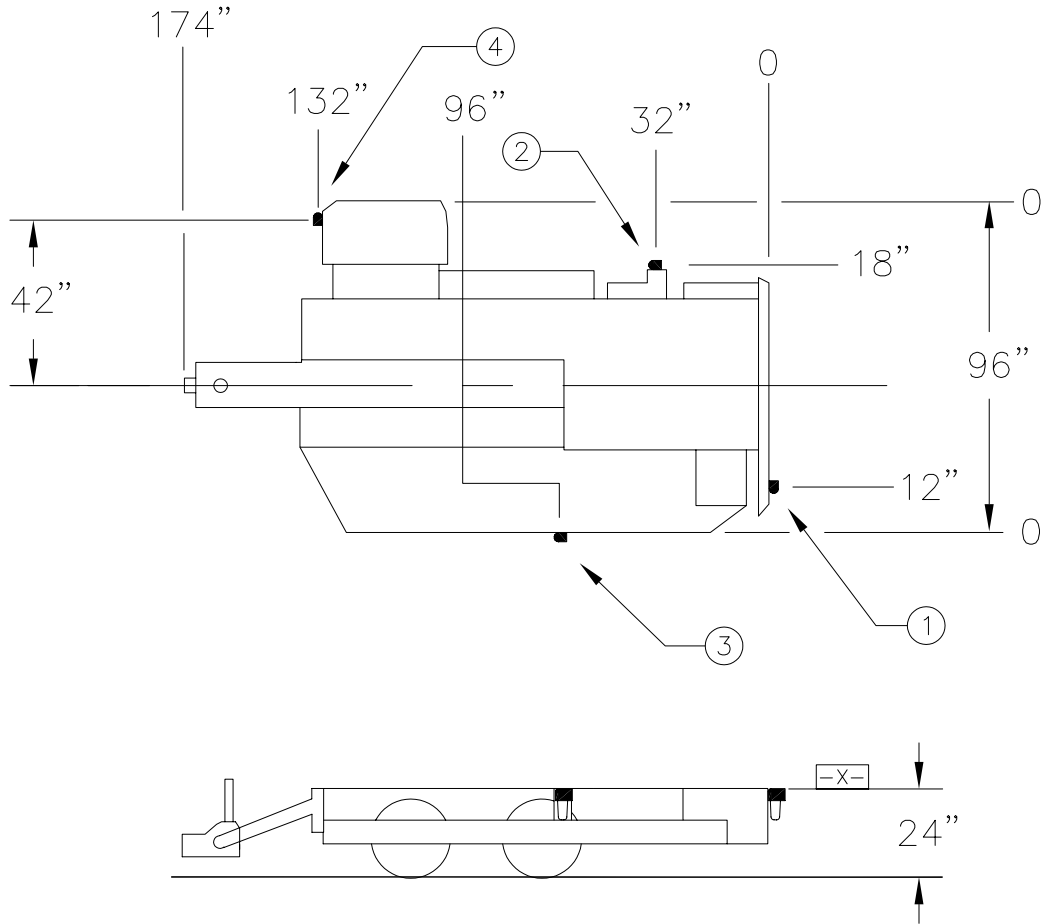


FACE



A  
B  
LENS C = CENTER

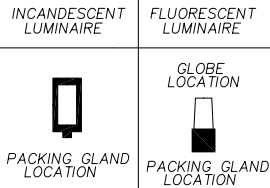
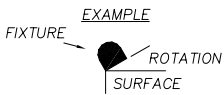
A ← LENS → B  
LENS C = CENTER

STE APPROVAL NO. **5004506-01**

**DIMENSIONAL INFORMATION AND TERMS:**

ALL DIMENSIONS ARE TO THE CENTER OF THE FIXTURE, UNLESS THE FIXTURE IS MOUNTED TO A DIMENSIONED SURFACE.

- TF – FIXTURE ROTATION TO THE FACE
- LR – FIXTURE ROTATION TO THE LEFT RIB
- RR – FIXTURE ROTATION TO THE RIGHT RIB
- TB – FIXTURE ROTATION TO THE BACK
- UP – FIXTURE ROTATION TO THE ROOF



MACHINE MODEL:  
**300**



TOLERANCE:  
MACHINE MODEL VARIATIONS ±6"

DO NOT CHANGE WITHOUT "MSHA" APPROVAL

- NOTES:**
- ALL FIXTURES WITH THE EXCEPTION OF HEAD LIGHTS ARE EQUIPPED WITH STEEL GUARDS.
  - HEAD LIGHTS ARE PROTECTED BY 1/8" MIN. STEEL.
  - THIS STE SHOWS THE MINIMUM LIGHTS REQUIRED. ADDITIONAL LIGHTS CAN BE ADDED TO MEET THE CUSTOMERS NEEDS.

LIGHT PLACEMENT ±3" LINEAR  
±5° ANGULAR  
VOLTAGE AT FIXTURE ±5 %  
OF RATED BULB VOLTAGE.

ENTRY SIZE  
**36" X 20'**

TITLE  
**EIMCO BOLTER**

D	OPERATOR STA.	REMOTE CONTROL OPTIONAL
C	CANOPY	CANOPY OPTIONAL WHEN USING REMOTE CONTROL OR IN COAL LESS THAN 42"

ITEM	MODEL	X/P NO.	WATTS	BULB TYPE	PACKING GLAND LOCATION	MODEL	X/P NO.	WATTS	BULB TYPE	GLOBE LOCATION	LIGHT LOCATION FROM SURFACE -X- DIM ABOVE (+) DIM BELOW (-)
4	27434	3586-0	15	FL	UP	27434LP	3843-0	20	FL	LR	-6"
3	27434	3586-0	15	FL	UP	27434LP	3843-0	20	FL	TB	-6"
2	27434	3586-0	15	FL	UP	27434LP	3843-0	20	FL	TB	-6"
1	27434	3586-0	15	FL	UP	27434LP	3843-0	20	FL	RR	-6"
LUMINAIRE						ALTERNATE LUMINAIRE					

DRAWN BY <b>CAC</b>	DATE DRAWN <b>9-19-91</b>	APPROVED BY	DATE APPROVED	DRAWING NUMBER <b>920304</b>	REV. <b>A</b>
------------------------	------------------------------	-------------	---------------	---------------------------------	------------------