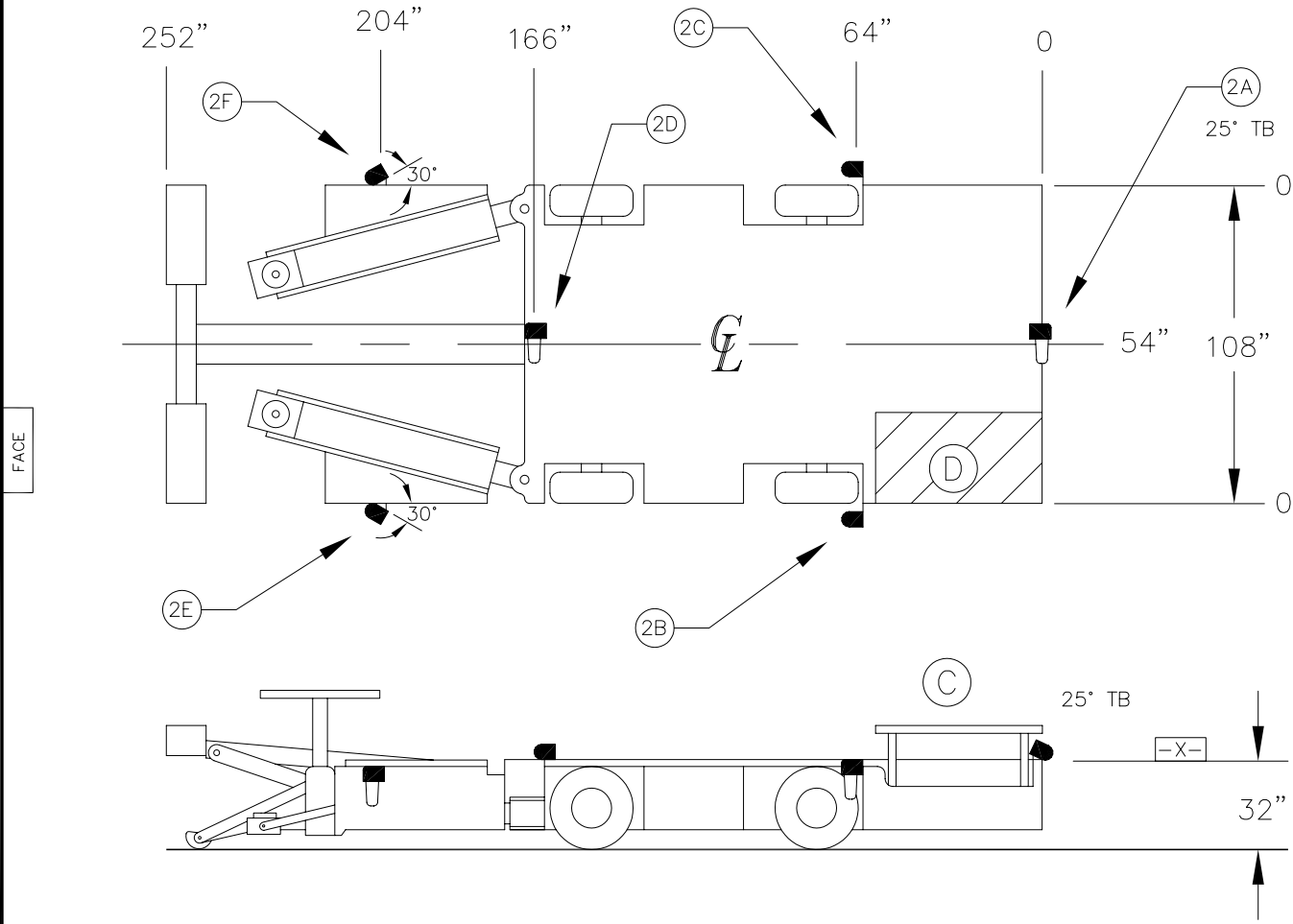


RIGHT RIB



MACH. MODEL	DDO, RR II, DDR	STE APPROVAL NO.	5004409
-------------	-----------------	------------------	---------

**DIMENSIONAL INFORMATION AND TERMS:**  
 ALL DIMENSIONS ARE TO THE CENTER OF THE FIXTURE, UNLESS THE FIXTURE IS MOUNTED TO A DIMENSIONED SURFACE.  
 TF - FIXTURE ROTATION TO THE FACE  
 LR - FIXTURE ROTATION TO THE LEFT RIB  
 RR - FIXTURE ROTATION TO THE RIGHT RIB  
 TB - FIXTURE ROTATION TO THE BACK  
 UP - FIXTURE ROTATION TO THE ROOF

**EXAMPLE**

27434 FIXTURE → ROTATION SURFACE

27434-LP  
27434-LP2  
FIXTURE → ROTATION SURFACE

**TOLERANCE:**  
 MACHINE MODEL VARIATIONS ±6"  
 LIGHT PLACEMENT ±3" LINEAR  
 ±5" ANGULAR  
 VOLTAGE AT FIXTURE ±5 %  
 OF RATED BULB VOLTAGE.

**NOTES:**  
 1. ALL FIXTURES WITH THE EXCEPTION OF HEAD LIGHTS ARE EQUIPPED WITH STEEL GUARDS.  
 2. HEAD LIGHTS ARE PROTECTED BY 1/8" STEEL.  
 3. THIS STE SHOWS THE MINIMUM LIGHTS REQUIRED. ADDITIONAL LIGHTS CAN BE ADDED TO MEET CUSTOMERS NEEDS.  
 4. WHEN FROSTED GLOBES ARE USED CLEAR GLOBES ARE OPTIONAL.

HEAD LIGHT	AREA LIGHTS		
ITEM 1	ITEM 2	ITEM 3	
30000 MCI50XP 20043	27434	27434-LP	27434-LP2
PACKING GLAND LOCATION	PACKING GLAND LOCATION	PACKING GLAND LOCATION	PACKING GLAND LOCATION

D	OPERATOR STA.	REMOTE CONTROL OPTIONAL							
C	CANOPY	CANOPY OPTIONAL WHEN USING REMOTE CONTROL OR IN COAL LESS THAN 42"							
		3	27434-LP2	23W EL (COMP.FL.)	3843-2, -3	.730	CLEAR/AMBER/FROST		
				20W EL (COMP.FL.)	3843-2, -3	.730	CLEAR		
				20W EL (COMP.FL.)	3843-0 thru.-3	.730	CLEAR		
2F	UP	DOWN	-8"	2	27434-LP	23W EL (COMP.FL.)	3843-2, -3	.730	CLEAR/AMBER/FROST
2E	UP	DOWN	-8"			20W EL (COMP.FL.)	3843-2, -3	.730	CLEAR
2D	RR	LR	+3"		27434	15W EL (COMP.FL.)	3586-0	.730	CLEAR
2C	UP	DOWN	-4"		20043	150 W. PAR38/FL	2372-0	.710	
2B	UP	DOWN	-4"	1	MCI50XP	50 W. EXN/C	3938-0	.776	
2A	RR	LR	+2"		30000	75 W. EYC/C	3493-2	.730	
						50 W. EXN/C	3493-2	.730	
						50 W. EXN	3493-0, -1	.730	
ITEM & LOCATION	GLAND LOCATION	GLOBE LOCATION	LIGHT LOCATION FROM SURFACE -X- DIM ABOVE (+) DIM BELOW (-)	ITEM	MODEL	BULB WATTS/TYPER	X/P NO.	MAX. CABLE RANGE	GLOBE TYPE

**DO NOT CHANGE WITHOUT "MSHA" APPROVAL**

ENTRY SIZE or MACHINE SIZE  
7' X 20'

MACHINE MANUFACTURE  
J.H.FLETCHER

MACHINE TYPE  
BOLTER

MINING CONTROLS INCORPORATED  
P.O. BOX 1141 BECKLEY, WV 25802

LIGHT FIXTURE INFORMATION	DRAWN BY RAJ	DATE DRAWN 10-25-95	APPROVED BY	DRAWING NUMBER B-28575-7	REV. D
---------------------------	-----------------	------------------------	-------------	-----------------------------	-----------