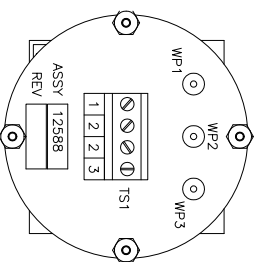
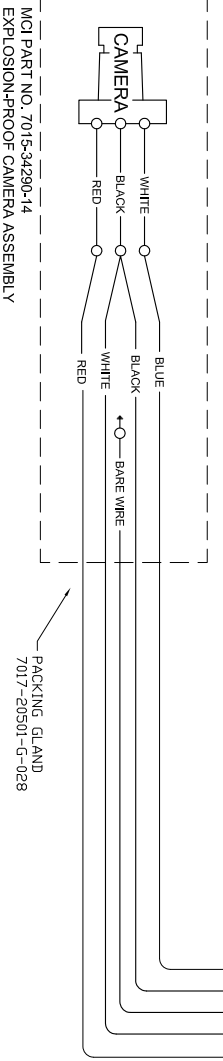
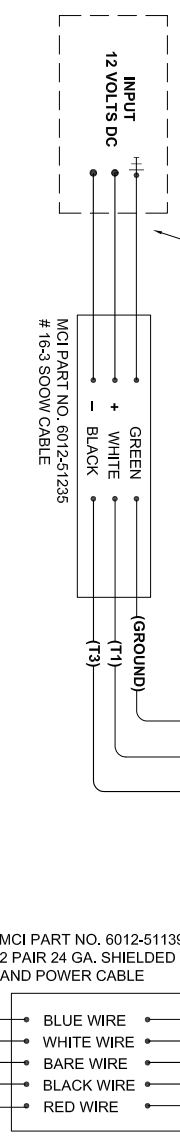
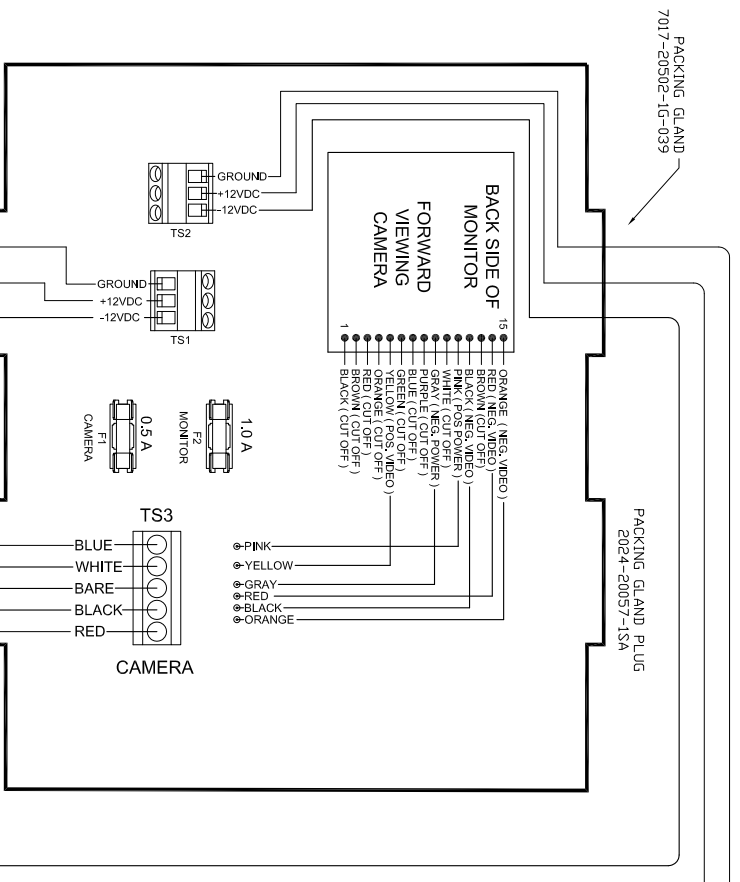
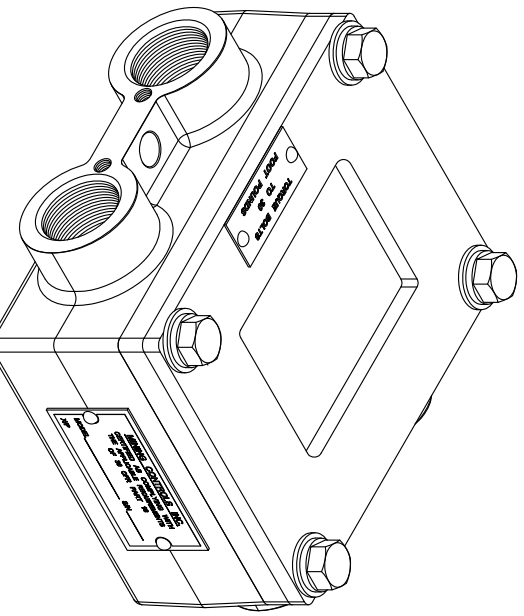
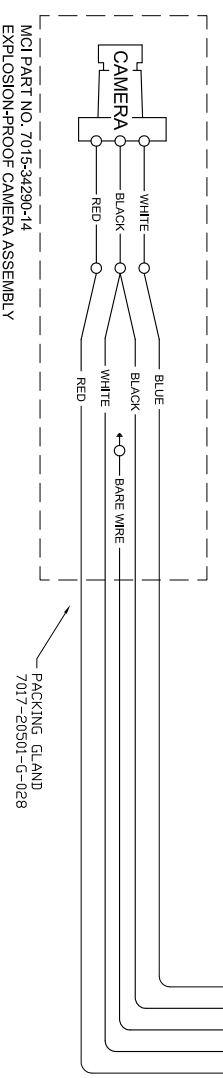
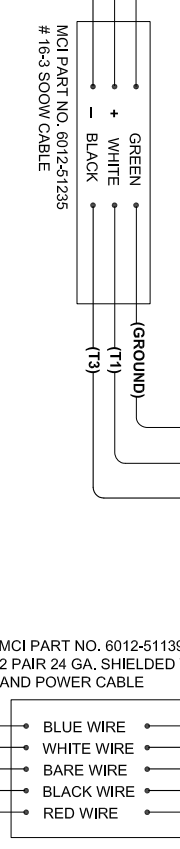
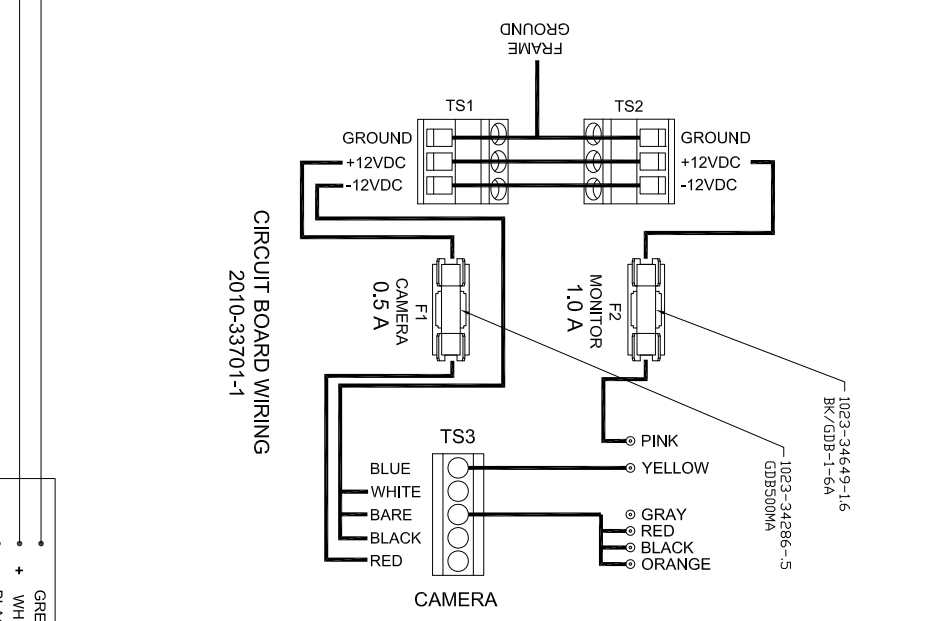
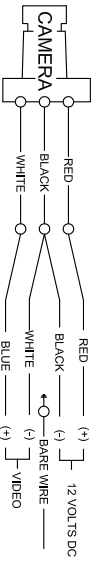


MODEL 35400
 P/N 7015-35400-41
 4" LCD Monitor With XIP Enclosure For One Camera
 12V DC 1.0 AMPS.

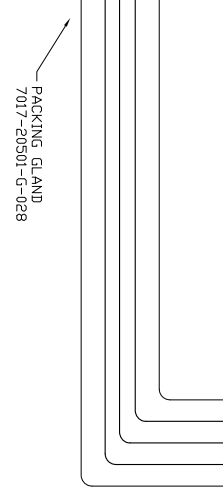
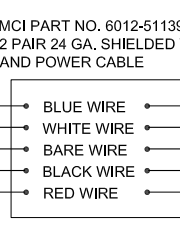
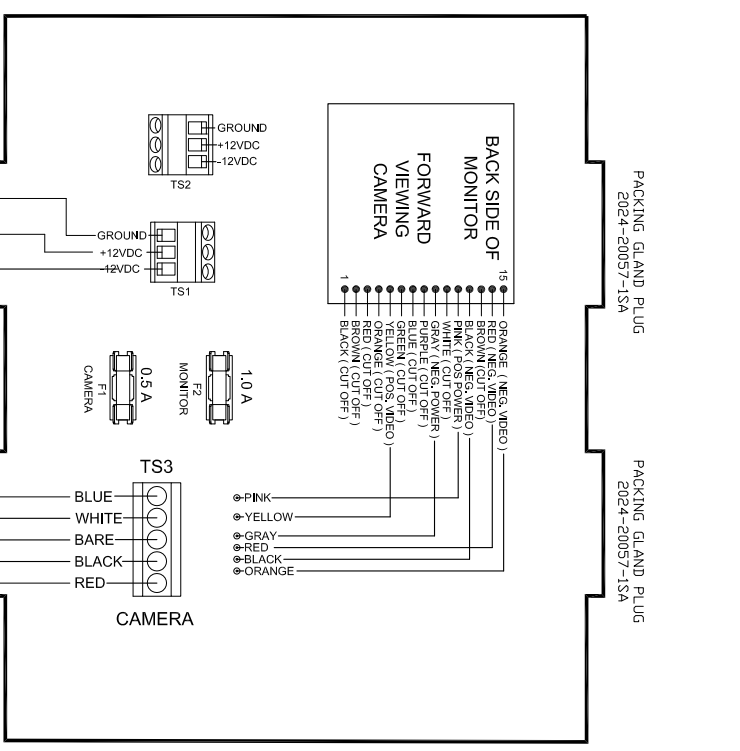
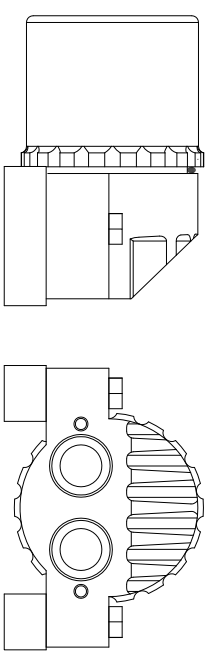
CERT. XP-3844-1



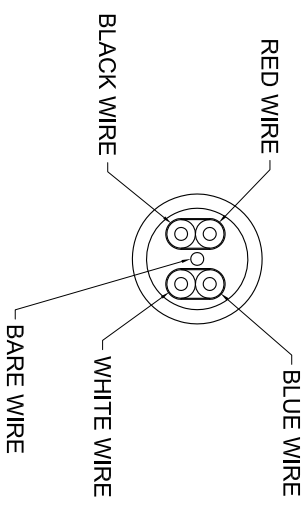
WIRING: BACK VIEW OF CAMERA
 1 = VIDEO / 2 = COM / 3 = 12 VOLT DC. (+)



MODEL MC150XP CERT. XP 3938-0 & -1
 P/N 7015-34290-14
 EXPLOSION-PROOF CAMERA ASSEMBLY
 600 TV LINES 0.003 LUX 12VDC @ 100mA

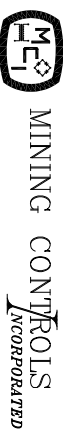


6012-51139-11
 2 PAIR-24 GA. SHIELDED VIDEO AND POWER CABLE



TOTAL SYSTEM REQUIREMENTS
 12 VOLT DC 2.2 AMPS

SHEET 1 OF 2



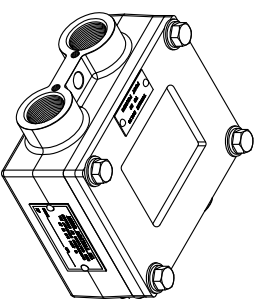
MINING CONTROLS
 INCORPORATED
 P.O. BOX 1141 BECKLEY, W.V. 25801

DATE DRAWN	DRAWN BY	CHECKED BY	PART NUMBER	REV.
8-23-2011	RAJ		WD 7015-35245-10	D

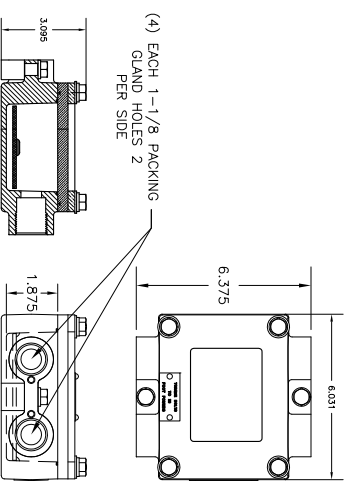
TITLE
 WIRING DIAGRAM
 4" LCD MONITOR



Mine Lighting Systems
Mining Controls Inc.
 P. O. Box 1141
 Beckley, WV 25802
 304-252-6243
 larry.rowley@elginindustries.com
 www.minelectricsystems.com



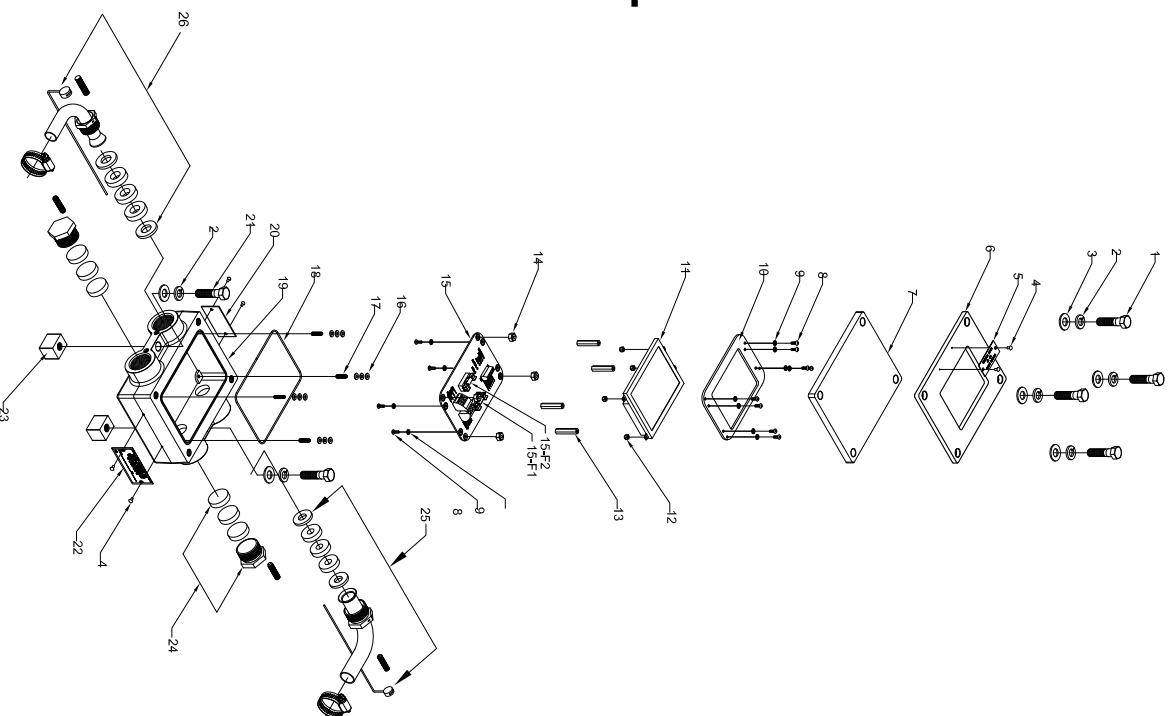
FINAL ASSEMBLY



7015-35400-41
 XP MODEL NO. 35400
 XP APPROVAL NO. 3844-1
 PA APPROVAL NO. 1185-92

4" LCD MONITOR CONN BOX MODEL 35400

Item	Qty.	Part Number	Description
1	4	1041-50006-19	3/8" - 16 X 1 3/8 HEX BOLT
2	6	1041-50008	3/8" LOCK WASHER
3	6	1041-50007	3/8" FLAT WASHER
4	6	1041-50005	DRIVE SCREW 4 X 3/16"
5	1	1044-33866-1	TORQUE TAG
6	1	2022-35399-1	MACHINED RETAINER
7	1	2013-35401	CLEAR LEXAN LENS
8	12	1041-50225-2	M3 X 8MM BUTTND HD SOCKET SCREW
9	12	1041-50227	M3 INTERNAL TOOTH LOCK WASHER
10	1	2010-33701-2	4" MONITOR FACE PLATE
11	1	1059-34485-8	4" LCD MONITOR
12	4	1041-50226-1	M3 NYLON INSERT HEX LOCKNUT
13	4	1041-50239-8	STANDOFF 6MM HEX X 31MM LONG
14	4	1041-50039-1	6-32 HEX NYLON LOCK NUT
15	1	2010-33701-1	4" MONITOR BASE PLATE
15-F1	1	1023-34286-5	FUSE CAMERA 1/2 A
15-F2	1	1023-34649-1,6	FUSE MONITOR 1.6 A
16	12	1041-50041	# 6 FLAT WASHER
17	4	1041-50218	6-32 X 3/4" SET SCREW
18	1FT.	1033-35436	O-RING
19	1	2010-35403	MAIN HOUSING
20	1	1044-20038	PA TAG
21	2	1041-50006-4	3/8" - 16 X 1 1/4 HEX BOLT
22	1	1044-20011	CERTIFICATION TAG
23	2	2022-35418	WELD PAD
24	2	2024-20057-1SA	STEEL PLUG 1-1/8"-12
25	1	7017-20502-1G-039	PACKING GLAND ASSEMBLY
26	1	7017-20502-G-028	PACKING GLAND ASSEMBLY

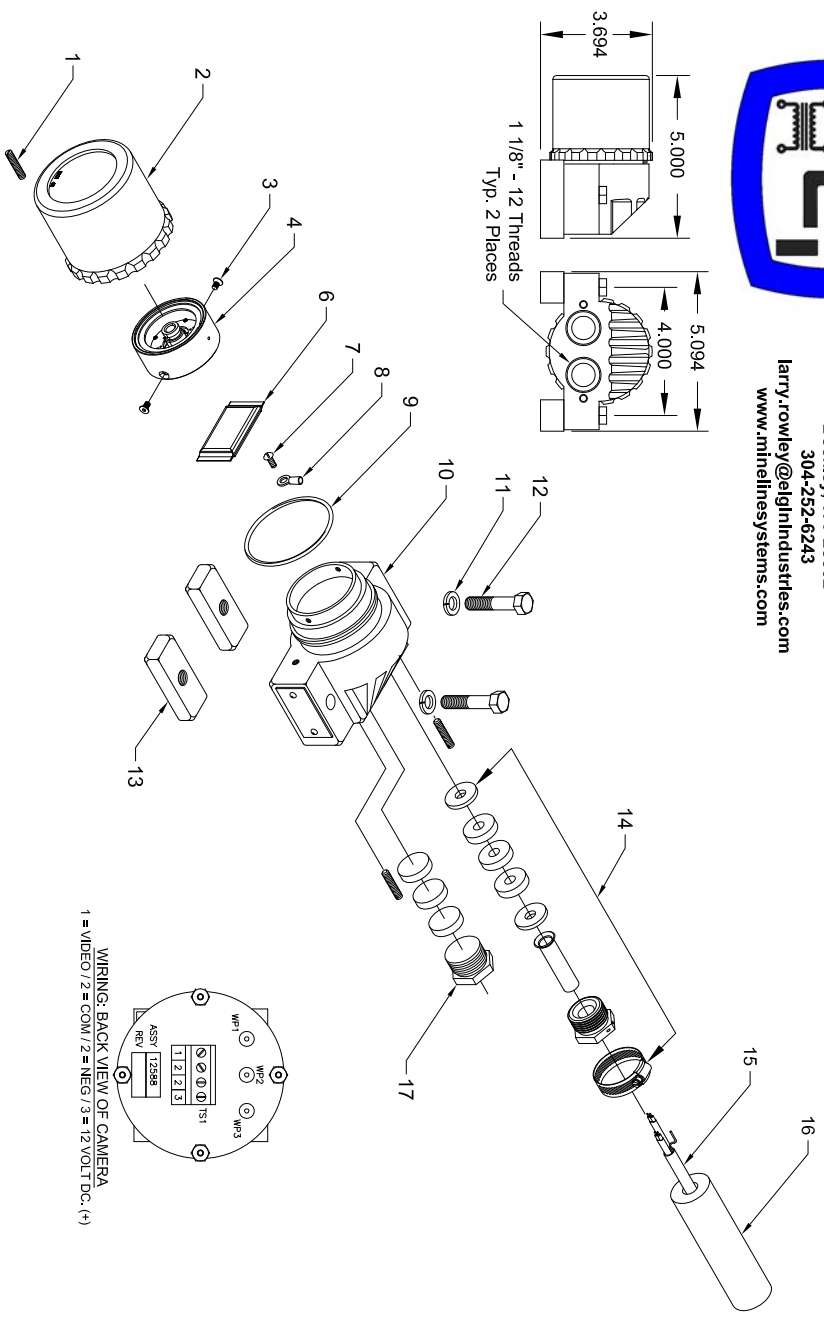


Mining Controls Inc. 304-252-6243 www.minelectricsystems.com

TDS-7015-35400-41 REV-C 11-17-11



Mine Lighting Systems
Mining Controls Inc.
 P. O. Box 1141
 Beckley, WV 25802
 304-252-6243
 larry.rowley@elginindustries.com
 www.minelectricsystems.com



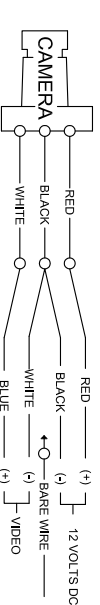
7015-34290-14

PA Approved 1246-94
 MSHA Approved XP 3938-0 & -1

CAMERA MODEL MC150XP EXPLOSION PROOF WITH BLACK & WHITE 600 TV LINES RESOLUTION 0.0003 LUX LOW LIGHT CAMERA, WITH 3.6 mm LENS 12VDC 100mA

Item	Qty.	Part Number	Description
1	1	1041-50009-3	1/4" - 20 Locking Screw
2	1	2013-35120-1A	Alum. Lens Housing
3	2	1041-50002-17	8 - 32 X 3/8" Flat Head Screw
4	1	2023-35440-2	Camera Assembly
6	1	1038-33991	Descant Bag
7	1	1041-50002-15	8 - 32 Round Head Screw
8	1	1035-20302-3	Round Terminal Lug
9	1	2019-31137-1	O-Ring
10	1	2010-31678H-A	Alum. Housing
11	2	1041-50008	3/8" Lock Washer
12	2	1041-50006-6	Bolt 3/8"-16 X 1-3/4"
13	2	2022-32974	Mounting Foot
14	1	7017-20501-G-028	Packing Gland Assembly
15	36	6012-51139-11	2 Pair 24 GA. Shielded Cable
16	35	6013-51135	1/2" Conduit Hose
17	1	2024-20057-1SA	Steel Plug Assembly

RESOLUTION = 600 TV LINES
 AUTO GAIN & 10-BIT DSP
 MIN. ILLUMINATION = 0.0003 LUX @ F1.2
 IRIS CONTROL = AUTO
 LENS = 3.6 mm
 POWER = 12V DC @ 100mA



Mining Controls Inc. 304-252-6243 www.minelectricsystems.com

TDS 7030-34290-14 02-09-2009

SHEET 2 OF 2

		MINING CONTROLS <i>INCORPORATED</i>	
P.O. BOX 1141 BECKLEY, WV, 25801		TITLE WIRING DIAGRAM 4" LCD MONITOR	
DATE DRAWN 8-23-2011	DRAWN BY RAJ	CHECKED BY	PART NUMBER WD 7015-35245-10
			REV. C