

- STEP 1. PRECUT CABLE ( ITEM 5 ), 3/4" SHRINK TUBE ( ITEM 4 ), #18-2 SJOOW CABLE AS SHOWN.
- STEP 2. SLIDE WEATHER SEAL ( ITEM 3 ) TO THE #18-2 SJOOW CABLE ( ITEM 4 ) AS SHOWN IN FIGURE A.
- STEP 3. CONNECT NON-INSULATED TERMINAL FEMALE ( ITEM 2 ) TO THE #18-2 SJOOW CABLE ( ITEM 4 ) AND WEATHER SEAL ( ITEM 3 ) AS SHOWN IN FIGURE B.
- STEP 4. SLIDE NON-INSULATED TERMINAL FEMALE ( ITEM 2 ) IN MALE CONNECTOR HOUSING ( ITEM 1 ), TELL PINS ARE LOCKED IN PLACE.
- STEP 5. CLOSE MALE CONNECTOR HOUSING ( ITEM 1 ) AND SLIDE 3/4" SHRINK TUBE ( ITEM 5 ) OVER THE #18-2 SJOOW CABLE ( ITEM 4 ) ONTO MALE CONNECTOR HOUSING ( ITEM 1 ) AND HEAT SHRINK.

| ITEM | QTY. | PART NUMBER  | DESCRIPTION                   |
|------|------|--------------|-------------------------------|
| 1    | 1    | 1035-34095-2 | MALE CONNECTOR HOUSING        |
| 2    | 2    | 1035-34095-5 | NON-INSULATED TERMINAL FEMALE |
| 3    | 2    | 1035-34095-3 | WEATHER SEAL                  |
| 4    | 2"   | 1035-34145   | 3/4" SHRINK TUBE              |
|      |      |              |                               |
|      |      |              |                               |

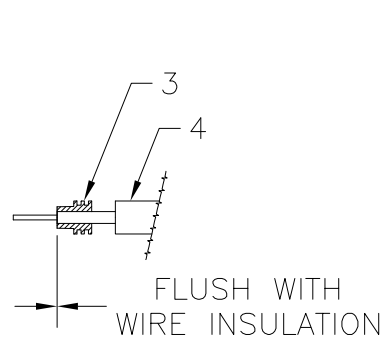


FIGURE A.

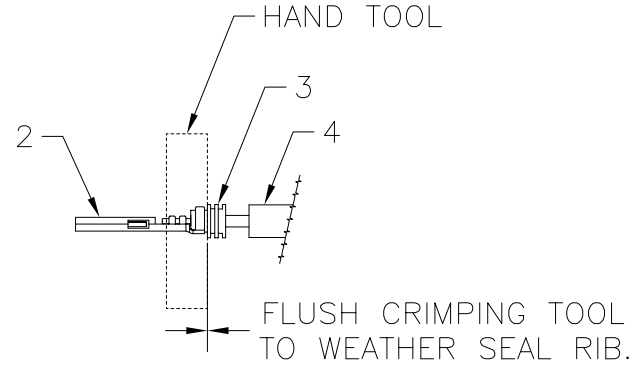
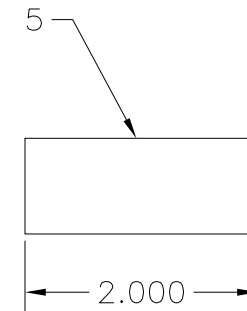
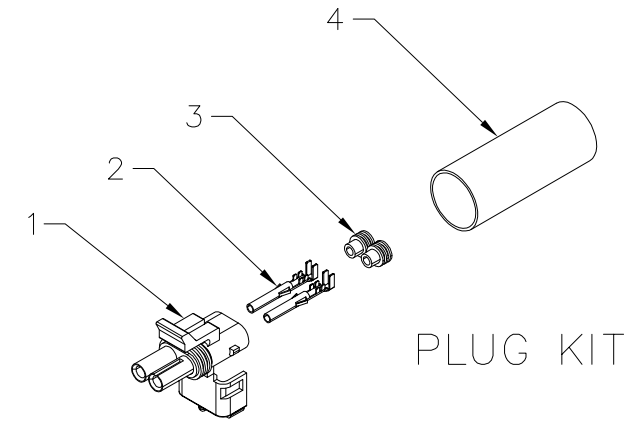
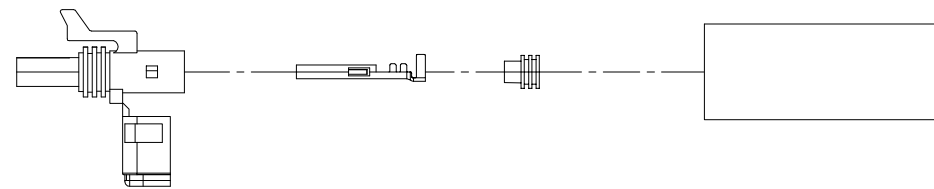
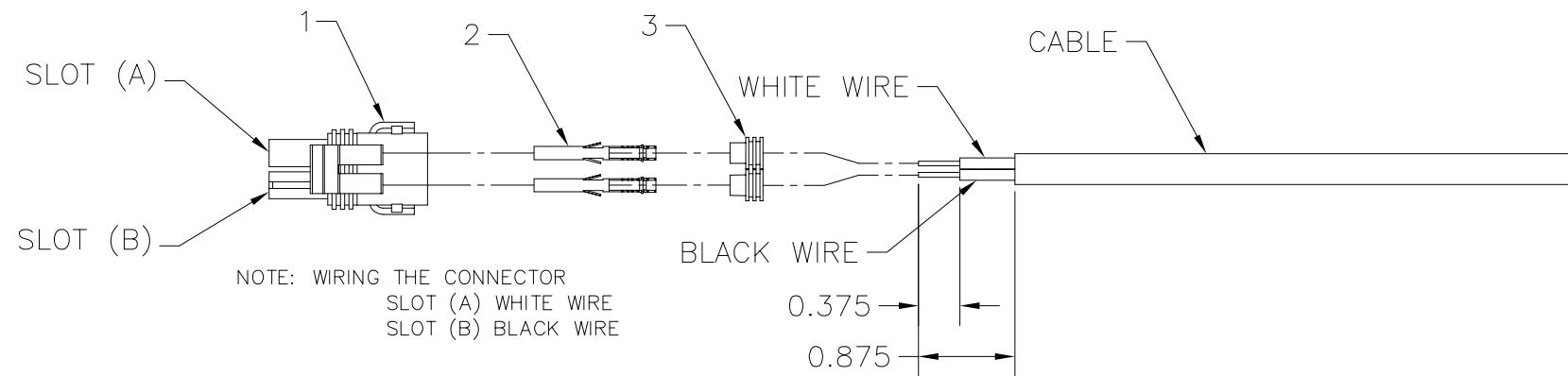
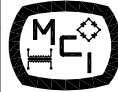


FIGURE B.



## PLUG KIT COMPONENT END POWER IN

|   |                       |                 |            |  |
|---|-----------------------|-----------------|------------|--|
| FIRST USED  |                       |                 |            |  <b>MINING CONTROLS</b><br>INCORPORATED<br>P. O. BOX 1141 BECKLEY, W.V. 25801 |
| MATERIAL & FINISH   |                       |                 |            |  |
| SCALE<br>1=1  | DATE DRAWN<br>10-7-09 | DRAWN BY<br>LWR | CHECKED BY | TITLE<br>WEATHER-PAK<br>PLUG ASSEMBLY  |
| ALL DIMENSIONS IN INCHES.<br>TOLERANCES UNLESS OTHERWISE SPECIFIED: |                       |                 |            | DWG. NO.<br>1037-34348-61  |
| DECIMALS  | .xxx = ± .005         | .xx = ± .015    |            | REV. A   |
| FRACTIONS   | = ± 1/32"             |                 |            |  |
| ANGLES  | = ± 1/2°              |                 |            |  |

| REV. | DESCRIPTION | INITIAL | DATE |
|------|-------------|---------|------|
|      |             |         |      |